

ROTARY LATCHES

APPLICATIONS

SPEP L6-rotary latches provide excellent security, convenient push-to-close action, and versatile remote actuation capability. Their compact and robust design are suitable for a wide variety of vehicle compartments, equipment access doors, hoods, lids, and toolboxes.

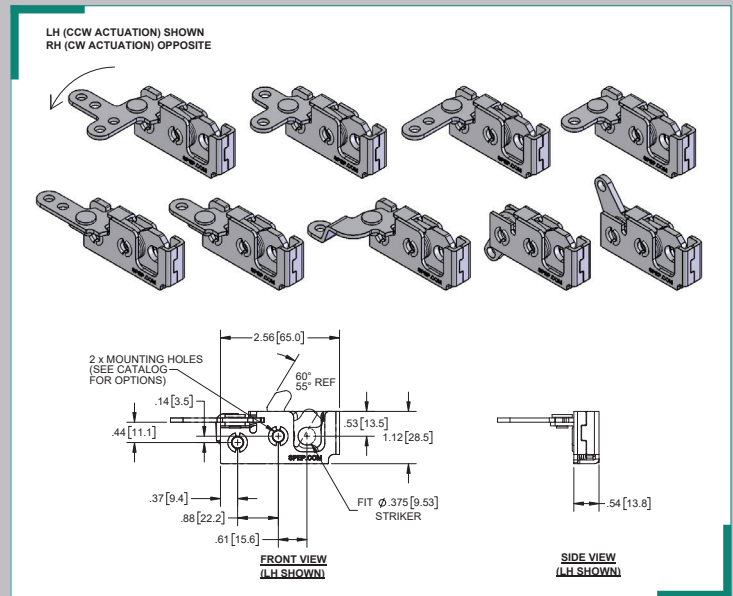


HIGHLIGHTS / FEATURES

- Hardened rotary components ensure secured latching (1000 lbs+ ultimate strength) with superior vibration resistance.
- Durable construction for optimal service life (40,000+ standard operation cycles).
- Convenient slam action and various actuation styles, compatible with a wide range of remote triggering systems.
- Generous striker engagement range accommodates minor misalignment and installation tolerances for large doors.
- Compact profile allows concealed operation, easy fit in confined space, and minimal protrusion for best aesthetic.
- Imperial ¼-20, Metric M6, and Through Hole mounting options available. Steel and Stainless Steel options available.

** Customizing options available. Please contact a SPEP Sales Rep for more information.*

TECHNICAL DETAILS



PART NUMBER NAMING CONVENTION

