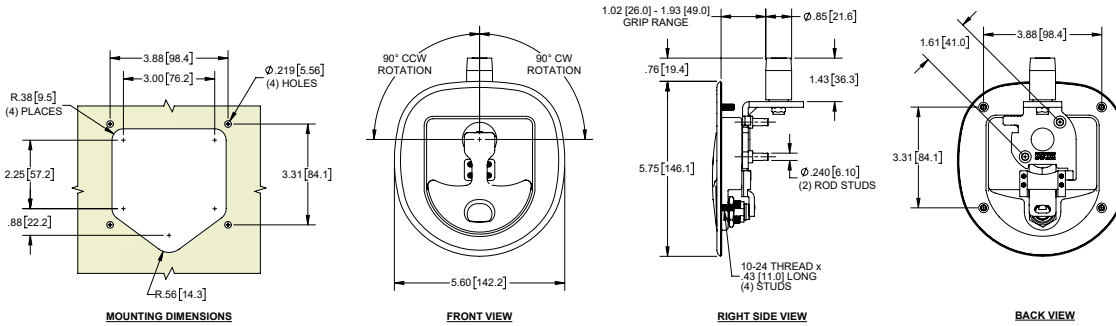




Multi-Point Padlocking Folding T-Handles with Adjustable Nylon Roller Cam

Part Number	Key Code	Rotation	Pan Material / Finish	Handle Material / Finish	Cam Type	Grip	Mounting
497CH-50L	CH501	90° CW	304SS / black powder coated	die cast zinc / chrome plated	fixed no compression stroke with studs for 3pt latching	1.0 [26.0] to 1.9 [49.0]	threaded studs
497CH-50R		90° CCW					
497SS-50L		90° CW	304SS / polished				
497SS-50R		90° CCW					

- ▶ lock concealed behind t-handle
- ▶ accepts up to 7/16" padlock
- ▶ see pg. 63 (part no. 723) for rods and accessories
- ▶ gasket included



Multi-Point Padlocking Folding Compression T-Handle with Adjustable Nylon Roller Cam

Part Number	Key Code	Rotation	Pan Material / Finish	Handle Material / Finish	Cam Type	Grip	Mounting
497BK-55	CH501	bi-directional	304SS / black powder coated	die cast zinc / black powder coated	4mm compression stroke with studs for 3pt latching	1.0 [26.0] to 1.9 [49.0]	threaded studs
497CH-55				die cast zinc / chrome plated			
497SS-55			304SS / polished	die cast zinc / chrome plated			

- ▶ lock concealed behind t-handle
- ▶ accepts up to 7/16" padlock
- ▶ see pg. 63 (part no. 723) for rods and accessories
- ▶ gasket included

