

### Three-Point Locking T-Handles

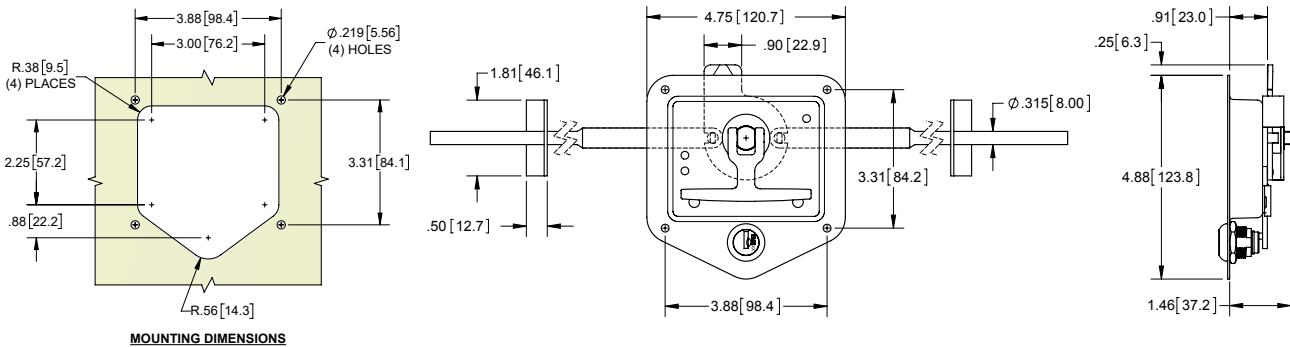
Part Number	Key Code	Equivalent Key Code	Material/ Finish	Holes	Pan Thickness	Handle Material
475-501	EM501	CH501		no		
475-502	EM502	CH502		no		
475-545	EM545	CH545	steel / zinc plated	no	18 gauge	die cast zinc
475-DB ‡	double bitted (10 codes available)			no		
476-501-01	EM501	CH501	steel / chrome plated	yes	18 gauge	die cast zinc
477-501	EM501	CH501		yes		
477-502	EM502	CH502	304SS	yes	18 gauge	die cast zinc
477-545	EM545	CH545	pan only / polished	yes		
477-DB ‡	double bitted (10 codes available)			yes		



💡 replacement cam locks available. see table at the bottom of the pg. 70

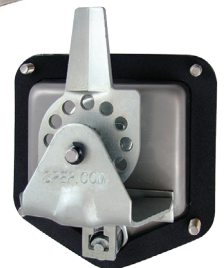
- ▶ includes (2)  $\varnothing.315$  [8.00] x 48 [1,219] long rods, zinc plated and rod guides
- ▶ ‡ includes double-bitted lock and keys (10 key codes available)

- ▶ gasket part no. 480G, see page 70



### Single-Point Locking T-Handles

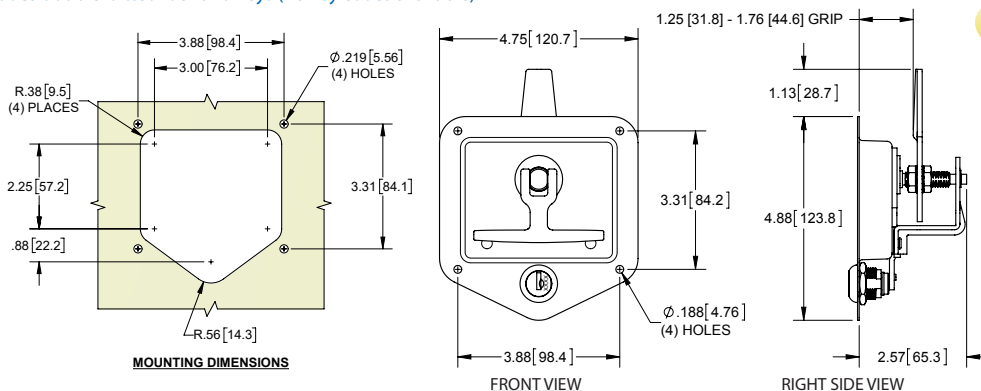
Part Number	Key Code	Equivalent Key Code	Material/ Finish	Mounting	Pan Thickness	Handle Material
480-501	EM501	CH501		none		
480-502	EM502	CH502		none		
480-545	EM545	CH545	steel / zinc plated	none	18 gauge	die cast zinc
480-751	EM751	CH751		none		
480-DB ‡	double bitted (10 codes available)			none		
484-751	EM751	CH751		holes		
484-501	EM501	CH501		holes		
484-502	EM502	CH502		holes		
484-545	EM545	CH545	430SS pan only / polished	holes	18 gauge	die cast zinc
484-DB ‡	double bitted (10 codes available)			holes		
494-501-01	EM501	CH501		threaded studs		
494-545-01	CH545	---		threaded studs		



parts no. 494-501-01 and 494-545-01 have threaded studs and a gasket as shown.

- ▶ cam has multiple holes for optional multi-point installation
- ▶ features adjustable cam
- ▶ ‡ includes double-bitted lock and keys (10 key codes available)

- ▶ gasket part no. 480G, see page 70
- ▶ see page 63 for rods



💡 replacement cam locks available. see table at the bottom of the pg. 70