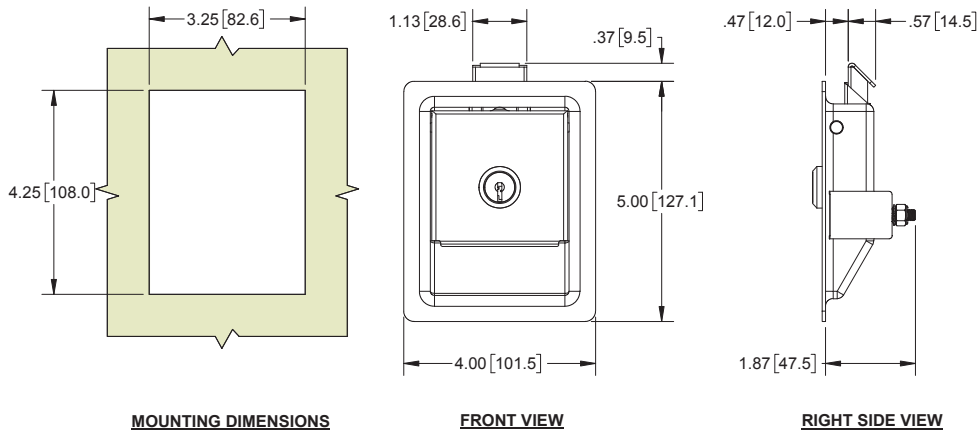


Large Paddle Handles

Part Number	Material	Finish	Pan Thickness	Key Code
466BK	steel	black powder coated	15 gauge	non-locking
466BK-LK	steel	black powder coated	15 gauge	K160

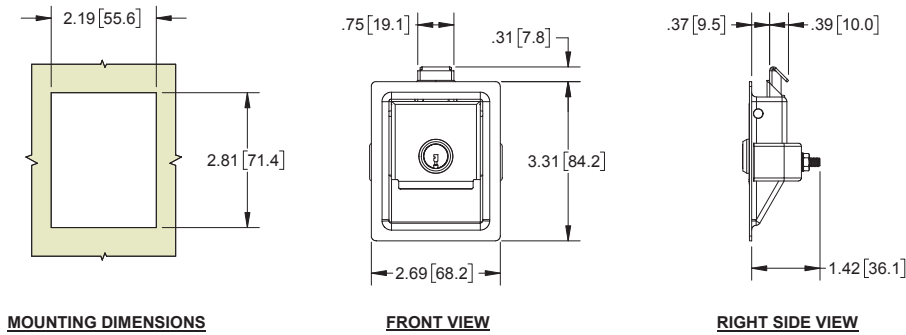
▶ stamped bolt construction



Medium Paddle Handles

Part Number	Material	Finish	Pan Thickness	Key Code
465BK	steel	black powder coated	18 gauge	non-locking
465BK-LK	steel	black powder coated	18 gauge	K330

▶ stamped bolt construction



Paddle Handle with Padlock Tab

Part Number	Material	Finish	Pan Thickness	Key Locking
467BK-01	steel	zinc plated then black powder coated	18 gauge	no

▶ accepts up to 5/16" padlock

