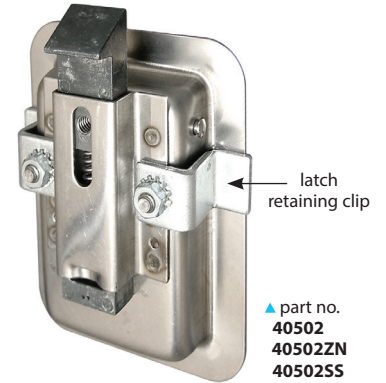


Junior Paddle Handles with Inside Release

| Part Number Standard Bolt | Part Number Flat Bolt | Locking or Non-locking | Mounting Holes | Material | Finish |
|------------------------------|--------------------------|---------------------------|-------------------|----------|---------------|
| 404 | 404A | non-locking | no | steel | pre-coat |
| 404H | 404AH | non-locking | yes | steel | pre-coat |
| 404H02 | --- | non-locking | yes | steel | matte black |
| 405 | 405A | locking | no | steel | pre-coat |
| 405-DB ‡ | 405A-DB ‡ | locking (double bitted) | no | steel | pre-coat |
| 405H | 405AH | locking | yes | steel | pre-coat |
| 405H-DB ‡ | 405AH-DB ‡ | locking (double bitted) | yes | steel | pre-coat |
| 40502 ▲ | --- | locking (CH545) | no | steel | pre-coat |
| 40502-DB ‡ | --- | locking (double bitted) | no | steel | pre-coat |
| 40502ZN ▲ | --- | locking (CH545) | no | steel | zinc plated |
| 40502ZN-DB ‡ | --- | locking (double bitted) | no | steel | zinc plated |
| 40502SS ▲ | --- | locking | no | 304SS | brushed |
| 407 | 407A | locking | yes | 304SS | hand polished |
| 407-DB ‡ | 407A-DB ‡ | locking (double bitted) | yes | 304SS | hand polished |
| NEW 407CH545 | --- | locking (CH545) | yes | 304SS | hand polished |
| 408 | 408A | non-locking | yes | 304SS | hand polished |
| 40801 ▲ | --- | non-locking | no | 304SS | brushed |



latch retaining clip

▲ part no.
40502
40502ZN
40502SS
40801

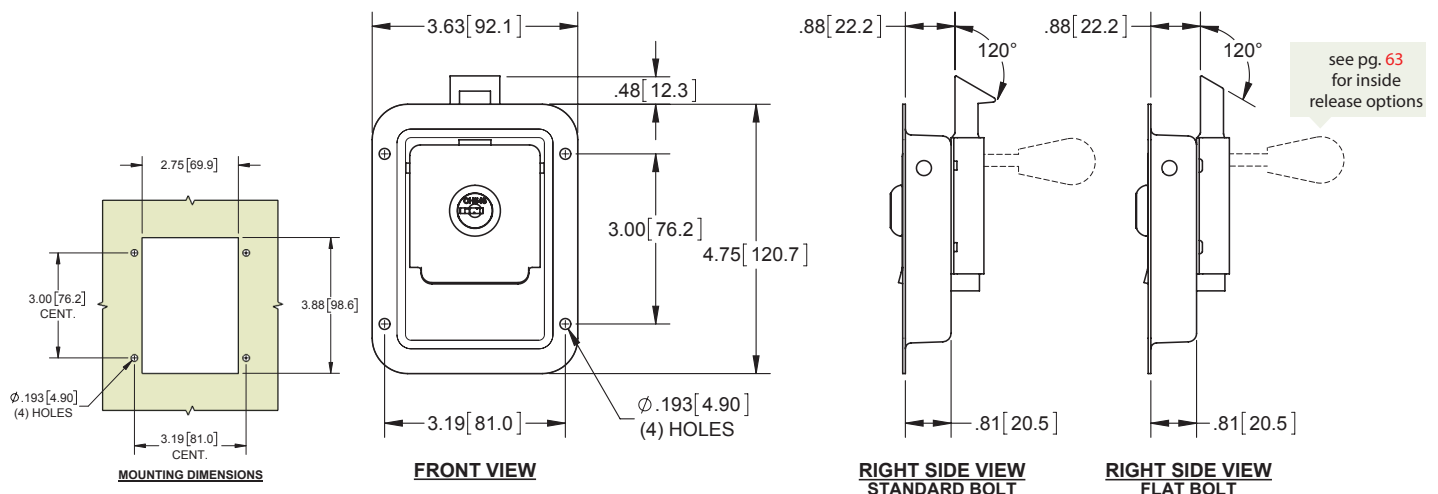
- ▶ SP1 key code supplied unless otherwise specified (see additional key codes tables below)
- ▶ ▲ latch retaining clip included
- ▶ handles can be used with an optional inside release to allow handle to be opened from interior of enclosure, see pg. 63
- ▶ electro-galvanized surface allows better paint adhesion than a zinc plated surface
- ▶ all bolts are made of die cast zinc
- ▶ neoprene gasket available (part no. 400G)
- ▶ suggested cut-out hole: 2.75 [69.9] x 3.88 [98.6]
- ▶ ‡ includes double-bitted lock and keys. See table below for key codes
- ▶ pan thickness: 18 gauge

Junior Paddle Handle Additional Key Codes Available Upon Request

| Part Number | Key Code | Part Number | Key Code | NEW PRODUCT FAMILY | Part Number | Key Code | Part Number | Key Code |
|-------------|----------|-------------|----------|---------------------------|-------------|----------|-------------|----------|
| PLSCH509 | CH509 | PLSCH501 | CH501 | | PLSDB-01 | 01 | PLSDB-06 | 06 |
| PLSCH510 | CH510 | PLSCH502 | CH502 | | PLSDB-02 | 02 | PLSDB-07 | 07 |
| PLSCH545 | CH545 | PLSCH503 | CH503 | | PLSDB-03 | 03 | PLSDB-08 | 08 |
| PLSCH751 | CH751 | PLSCH504 | CH504 | | PLSDB-04 | 04 | PLSDB-09 | 09 |
| PLSSP1 | SP1 | PLSCH507 | CH507 | | PLSDB-05 | 05 | PLSDB-10 | 10 |

▶ double bitted

▶ double bitted



see pg. 63
for inside
release options