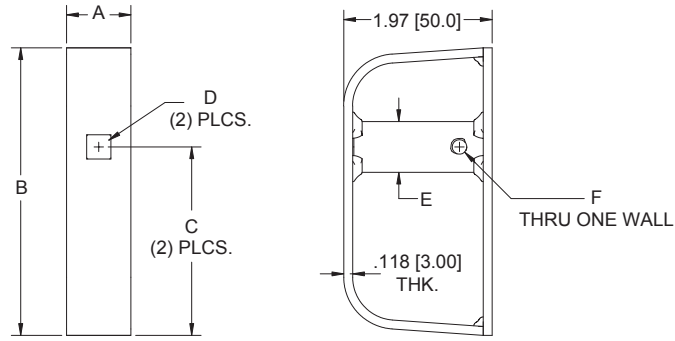


Inside Handles for Storage Shed

Part Number	Dim A	Dim B	Dim C	Dim D	Dim E	Dim F
365-01	.85 [21.7]	3.81 [96.9]	2.50 [63.5]	.322 [8.18] sq	Ø.67 [17.1]	M6x1 THD.
365-02	1.18 [30.0]	5.00 [127.0]	3.37 [85.70]	.511 [13.0] sq	Ø1.05 [26.67]	1/4-20 THD.

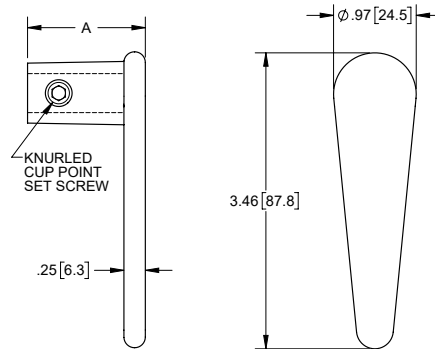
- ▶ material: steel finish: zinc plated
- ▶ **365-01** handle attaches to .313 [7.94] sq. shaft by tightening included set screw
- ▶ **365-02** handle attaches to .500 [12.70] shaft by tightening included set screw



Inside L-Handles

Part Number	Material	Finish	Dim A
354	die cast zinc	hand polished chrome plated	1.38 [35.0]
354-01	die cast zinc	hand polished chrome plated	.88 [22.4]

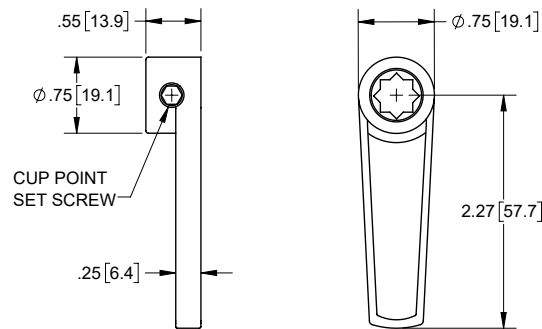
- ▶ handle attaches to .313 [7.94] sq. shaft by tightening included set screw



Light Duty Inside L-Handles

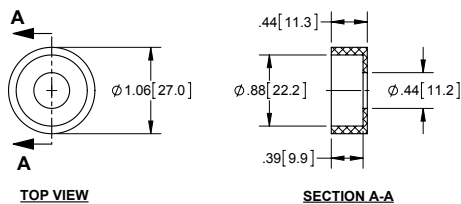
Part Number	Material	Finish
352	die cast zinc	mill
352CH	die cast zinc	chrome plated

- ▶ handle attaches to .313 [7.94] sq. shaft by tightening included set screw



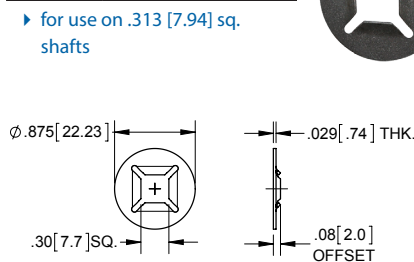
Cam Spacer

Part No.	Material	Finish
319	nylon	black



Push-on Nut

Part No.	Material	Finish
359	steel	Phosphate



- ▶ for use on .313 [7.94] sq. shafts

3/8" - 24 Keps Nut

Part No.	Material	Finish
361	steel	zinc plated



- ▶ for use on threaded .313 [7.94] sq. shafts

