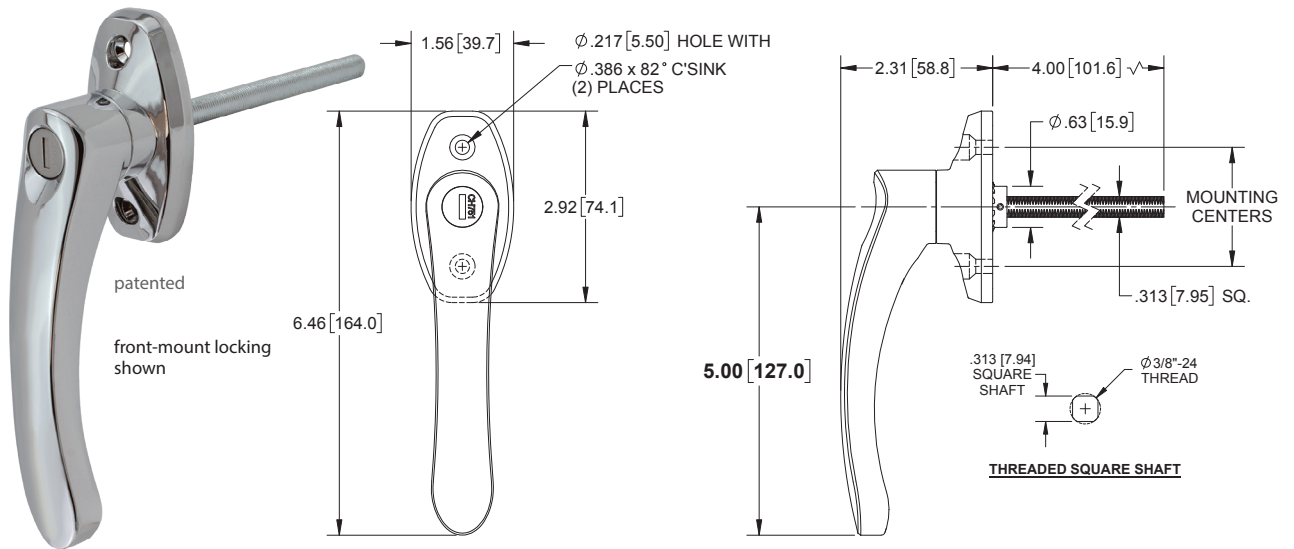


Medium L-Handles



Part Number	Rotation	Locking	Keyed (2 Keys/Lock)	Shaft Length	Shaft Style	Finish	Mount	Mounting Centers
3352	90° CW							
335201	90° CC	yes	CH751					
3353 *	90° CW			4.00 [101.6]	3/8" - 24 thread	chrome	front	1.750 [44.45]
335301 *	90° CC	no	non-locking					
3452 *	90° CW	yes	CH751					
345201 *	90° CC			4.00 [101.6]	3/8" - 24 thread	chrome	blind	1.750 [44.45]
3455 *	90° CW	no	non-locking					
345501 *	90° CC							
3350	90° CW	yes	CH751					
335001	90° CC			4.00 [101.6]	3/8" - 24 thread	chrome	front	1.813 [46.04]
3351	90° CW	no	non-locking					
335101	90° CC							
3450	90° CW	yes	CH751					
345001	90° CC			4.00 [101.6]	3/8" - 24 thread	chrome	blind	1.813 [46.04]
3453	90° CW	no	non-locking					
345301	90° CC							
3354	90° CW	yes	CH751					
335401	90° CC			4.00 [101.6]	3/8" - 24 thread	chrome	front	2.000 [50.80]
3355 *	90° CW	no	non-locking					
335501 *	90° CC							
3454 *	90° CW	yes	CH751					
345401 *	90° CC			4.00 [101.6]	3/8" - 24 thread	chrome	blind	2.000 [50.80]
3451 *	90° CW	no	non-locking					
345103 *	90° CC							

- ▶ material: die cast zinc
- ▶ achieve NEMA 12 and IP64 enclosure access requirements when combined with escutcheon gasket sold separately, part no. 335G
- ▶ meets ADA requirements
- ▶ includes dust shutter
- ▶ locking handles include (2) ringed keys
- ▶ front-mount handles do not include mounting screws (#10 recommended)
- ▶ blind-mount handles include (2) 10-32 x .41 [10.4] long mounting screws
- ▶ all handles include 3/8"-24 keps nut
- ▶ * non-stock part
- ▶ see accessories starting on pg. 58