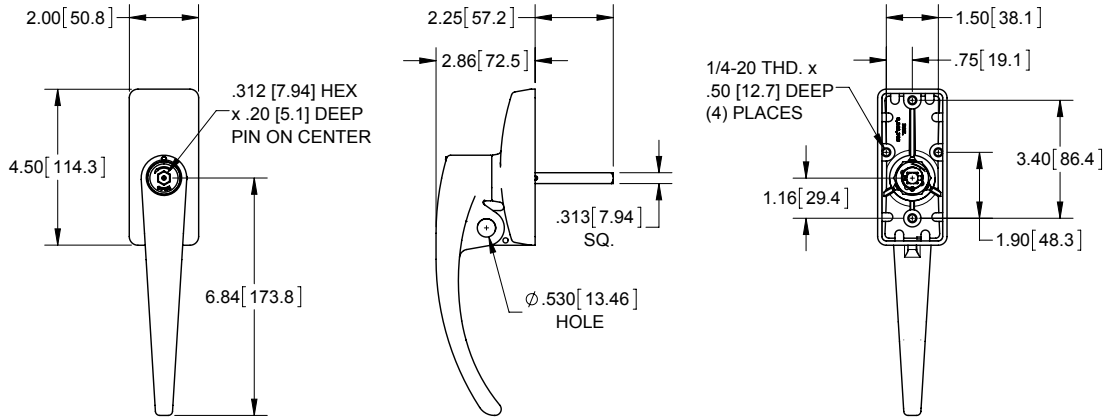


PAT. Heavy Duty Bellcore Defeater Handles

Part Number	90° Rotation	Shaft Size	Material	Finish
3921	right hand (CC)	.313 [7.94]	3045S	passivated
3922	left hand (CW)	.313 [7.94]	3045S	passivated

- ▶ self-locking handle for automatic security
- ▶ weather-resistant gasket
- ▶ padlock hasp for added protection
- ▶ tool operated defeater



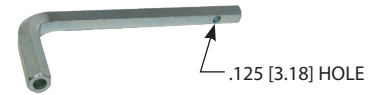
Meets Bellcore GR-487 Core Spec.



Bellcore Hex Tool Key

Part Number	Size	Material	Finish
392-K	8mm Bellcore hex	steel	zinc plated

- ▶ sold separately



316SS PAT. Heavy Duty 316SS L-Handles

Part Number	Key Code	Material	Finish	Length	Shaft Size
308SS-1250	1250	316SS	passivated	3.38 [85.7]	.50 [12.7]
308SS01-1250	1250	316SS	passivated	4.38 [111.1]	.50 [12.7]

- ▶ includes (3) mounting screws and (2) ringed keys
- ▶ 360° bi-directional rotation
- ▶ padlockable & key lockable

