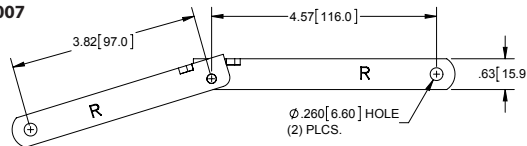


Lid Stays



right hand
part no: J2007

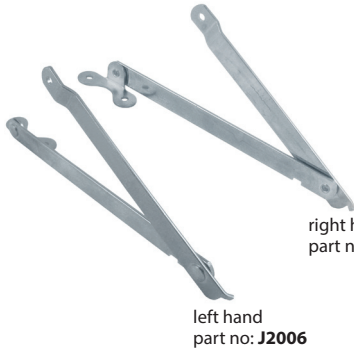
left hand
part no: J2008



Part Number	Description	Material	Finish
J2007	right hand	steel	zinc plated
J2008	left hand	steel	zinc plated

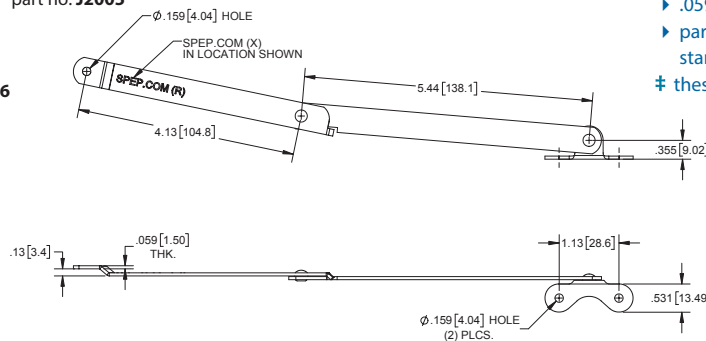
▶ .122 [3.10] thick steel

Lid Stays with Mounting Brackets



right hand
part no: J2005

left hand
part no: J2006



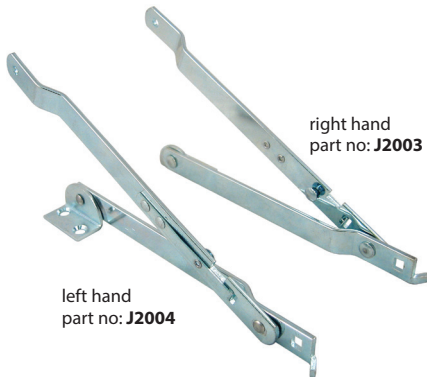
Part Number	Description	Material	Finish
J2005 ‡	right hand	steel	brass plated & lacquered
J2005ZN	right hand	steel	zinc plated
J2006 ‡	left hand	steel	brass plated & lacquered
J2006ZN	left hand	steel	zinc plated

▶ .059 [1.50] thick steel

▶ parts no. J2005 & J2006 do not have spep.com logo stamp

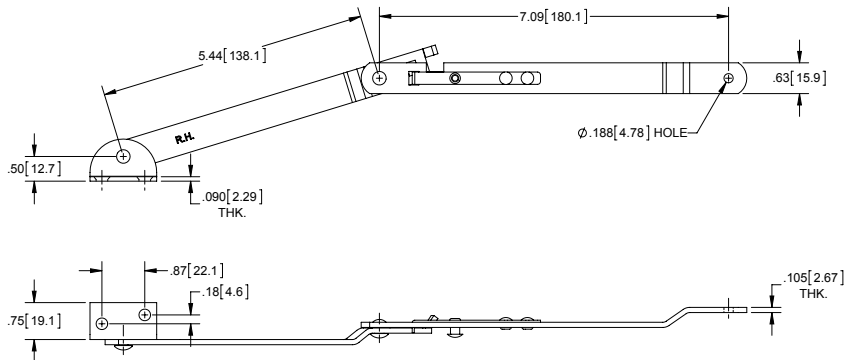
‡ these parts are non-stock

Table Braces



right hand
part no: J2003

left hand
part no: J2004



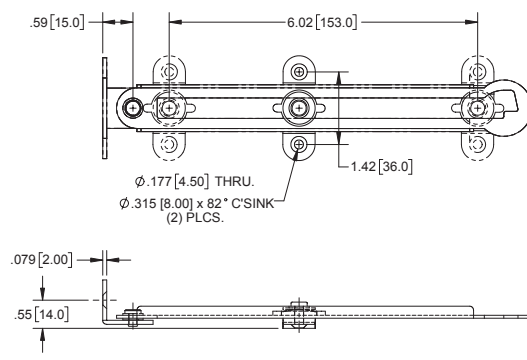
Part Number	Description	Material	Finish
J2003	right hand	steel	zinc plated
J2004	left hand	steel	zinc plated

Lid Stays



left hand
TM-81-2L

right hand
TM-81-2R



Part Number	Description	Material	Finish
TM-81-2R	right hand	304SS	barrel polished
TM-81-2L	left hand	304SS	barrel polished