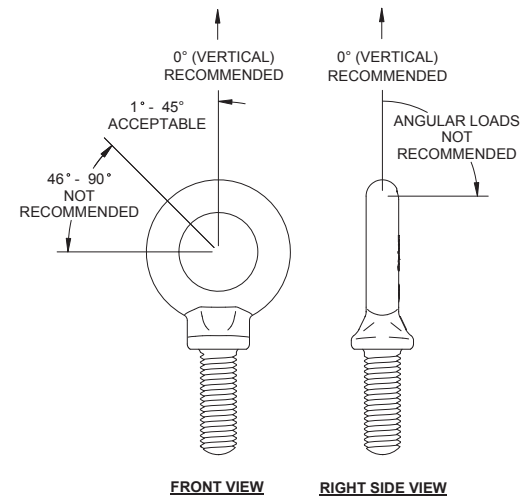
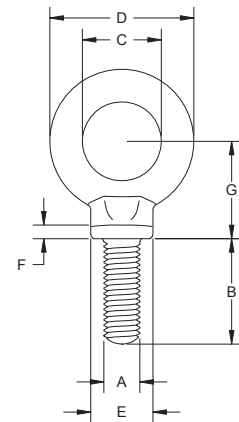


Shoulder Pattern Eyebolts

Part Number	Material	Rated Capacity	A (Thread Size)	B	C	D	E	F	G
E203	steel	500 lbs.							
E203ZN	steel	500 lbs.	1/4"- 20	1.00	Ø.75	Ø1.19	Ø.53	.15	.69
E203SS	304SS	460 lbs.		[25.4]	[19.1]	[30.2]	[13.5]	[3.8]	[17.5]
E203SST	316SS	460 lbs.							
E206	steel	900 lbs.	5/16"- 18						
E206ZN	steel	900 lbs.		1.12	Ø.87	Ø1.44	Ø.59	.15	.87
E206SS	304SS	780 lbs.		[28.5]	[22.1]	[36.6]	[15.0]	[3.8]	[22.1]
E206SST	316SS	780 lbs.							
E209	steel	1300 lbs.	3/8"- 16						
E209ZN	steel	1300 lbs.		1.25	Ø1.00	Ø1.69	Ø.65	.15	1.06
E209SS	304SS	1160 lbs.		[31.8]	[25.4]	[42.9]	[16.5]	[3.8]	[26.9]
E209SST	316SS	1160 lbs.							
E212	steel	1800 lbs.	7/16"- 14	1.37	Ø1.06	Ø1.81	Ø.78	.22	1.19
E212ZN	steel	1800 lbs.		[34.8]	[26.9]	[46.0]	[19.8]	[5.6]	[30.2]
E215	steel	2400 lbs.	1/2"- 13						
E215ZN	steel	2400 lbs.		1.50	Ø1.19	Ø2.12	Ø.90	.22	1.31
E215SS	304SS	2150 lbs.		[38.1]	[30.2]	[53.9]	[22.9]	[5.6]	[33.3]
E215SST	316SS	2150 lbs.							
E218	steel	3200 lbs.	9/16"- 12	1.75	Ø1.37	Ø2.56	Ø1.03	.25	1.59
E218ZN	steel	3200 lbs.		[44.5]	[34.8]	[65.0]	[26.2]	[6.4]	[40.4]
E221	steel	4000 lbs.	5/8"- 11						
E221ZN	steel	4000 lbs.		1.75	Ø1.37	Ø2.56	Ø1.03	.25	1.59
E221SS	304SS	3440 lbs.		[44.5]	[34.8]	[65.0]	[26.2]	[6.4]	[40.4]
E221SST	316SS	3440 lbs.							
E224	steel	5000 lbs.	3/4"- 10						
E224ZN	steel	5000 lbs.		2.00	Ø1.50	Ø2.81	Ø1.19	.25	1.72
E224SS	304SS	5140 lbs.		[50.8]	[38.1]	[71.4]	[30.2]	[6.4]	[43.69]
E224SST	316SS	5140 lbs.							
E227	steel	7000 lbs.	7/8"- 9	2.25	Ø1.62	Ø3.19	Ø1.37	.31	2.03
E227ZN	steel	7000 lbs.		[57.2]	[41.2]	[81.0]	[34.8]	[7.9]	[51.6]
E230	steel	9000 lbs.	1"- 8						
E230ZN	steel	9000 lbs.		2.50	Ø1.75	Ø3.56	Ø1.56	.37	2.22
E230SS	304SS	9370 lbs.		[63.5]	[44.5]	[90.4]	[39.6]	[7.9]	[56.4]
E230SST	316SS	9370 lbs.							
E233	steel	12000 lbs.	1 1/8"- 7	2.75	Ø2.00	Ø4.06	Ø1.75	.44	2.59
				[69.9]	[50.8]	[103.1]	[44.5]	[11.2]	[65.8]
E236	steel	15000 lbs.	1 1/4"- 7	3.00	Ø2.19	Ø4.44	Ø1.94	.50	2.84
				[76.2]	[55.6]	[112.8]	[49.3]	[12.7]	[72.1]
E239	steel	21000 lbs.	1 1/2"- 6	3.50	Ø2.50	Ø5.19	Ø2.19	.50	3.19
				[88.9]	[63.5]	[131.8]	[55.6]	[12.7]	[81.0]
E242	steel	28000 lbs.	1 3/4"- 5	3.75	Ø2.75	Ø6.00	Ø2.50	.62	3.75
				[95.3]	[69.9]	[152.4]	[63.5]	[15.8]	[95.3]
E245	steel	38000 lbs.	2"- 5	4.00	Ø3.00	Ø6.75	Ø2.87	.75	4.25
				[101.6]	[76.2]	[171.5]	[72.9]	[19.1]	[108.0]

- ▶ stainless steel parts are 304SS passivated and electro-polished
- ▶ 316SS parts available upon request
- ▶ steel parts are forged and 304 / 316SS parts are from investment casting
- ▶ all standard eyebolts threaded national coarse
- ▶ shanks longer than standard are available upon request

**WARNING**

Capacities listed are for vertical lifting only. Rated capacity is substantially reduced when loading at any angle. Loading must never be made at an angle greater than 45° from bolt center line. At an angle of 45°, rated capacity is reduced to 1/4 of shown rating.