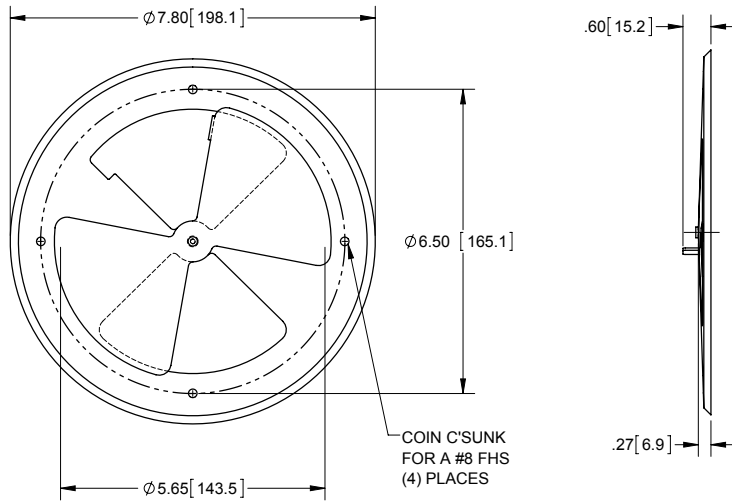


Aluminum Vent

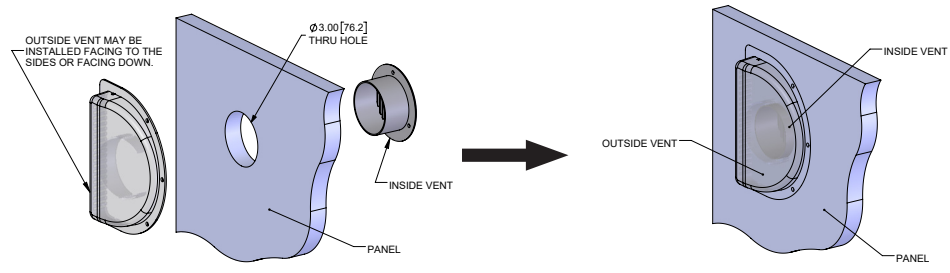
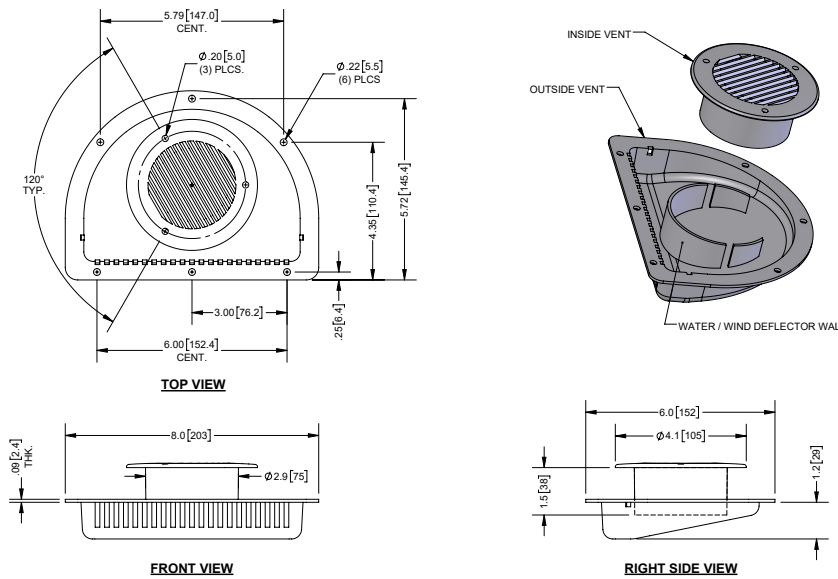
Part No.	Material	Finish
J6020	aluminum	brushed

▶ gasket available separately as part no. **J6020-G**



NEW UV Plastic Vent Cap Set

Part No.	Material	Finish
P1069BK	plastic with UV inhibitors	black smooth



DRILL 3" [76mm] HOLE THROUGH THE PANEL AS SHOWN. INSTALL OUTSIDE VENT TO THE OUTSIDE OF THE PANEL WITH (6) SCREWS (NOT SUPPLIED).