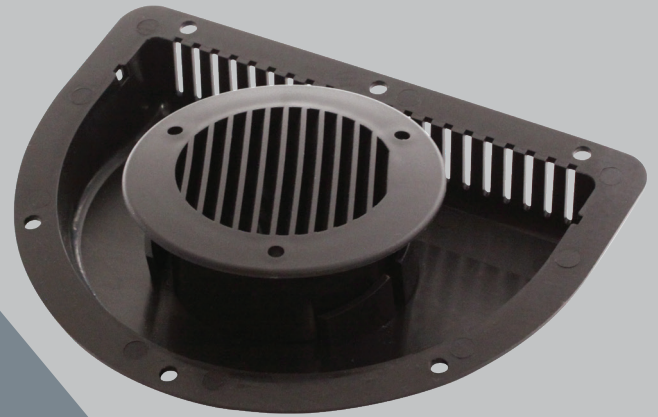


**NEW**

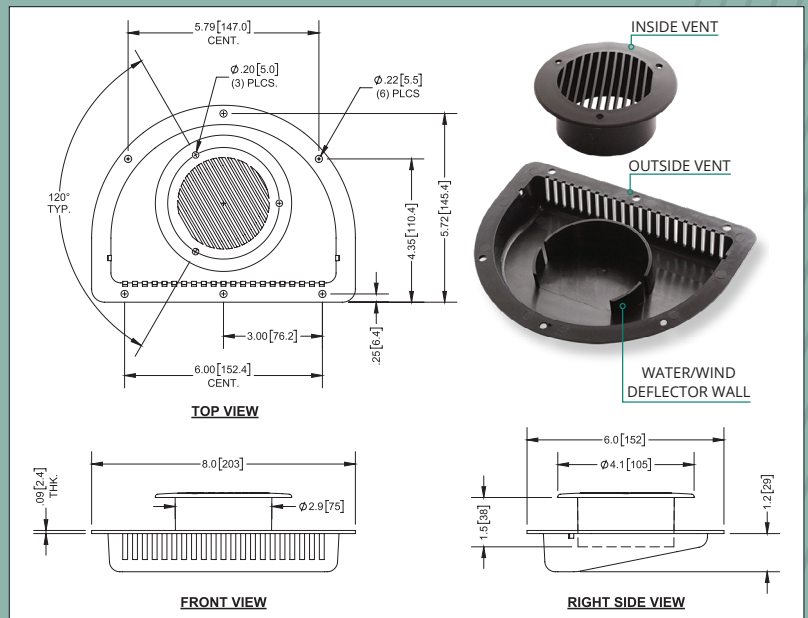
# PLASTIC VENT CAP SET

PART NO. P1069BK



## HIGHLIGHTS / FEATURES

- **EASY INSTALL:** Simple installation takes just a few minutes with 9 screws - sold separately.
- **FUNCTION:** Ventilates your RV or enclosed trailer.
- **DURABLE:** Components are made of heavy duty plastic - UV Resistant Polypropylene.
- **DIMENSIONS:** Round vent fits 3" interior opening and can be trimmed for thinner panels. Outside vent cover is 8"w x 6"d.
- **RECOMMENDATION:** Use sealant to prevent water from entering - sold separately.



Part Number	Material	Finish
<b>P1069BK</b>	plastic with UV inhibitors	black, smooth

## APPLICATION

