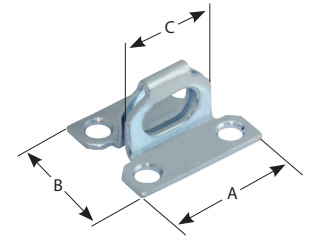


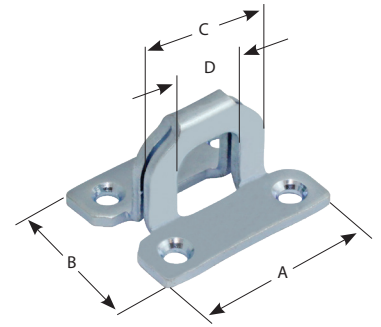
**Standard Stamped Staples (Steel)**

Part Number	Plate Thickness	Staple Thickness	A	B	C	Screw Size	Finish
<b>280S</b>	.079 [2.01]	.25 [6.35]	1.63 [41.4]	1.36 [34.5]	1.13 [28.7]	#7	zinc plated
<b>280T-01</b>	.039 [1.00]	.16 [4.06]	1.00 [25.4]	.69 [17.5]	.69 [17.5]	#4	zinc plated
<b>280U</b>	.067 [1.70]	.16 [4.06]	1.20 [30.5]	1.08 [27.4]	.90 [22.9]	#6	zinc plated



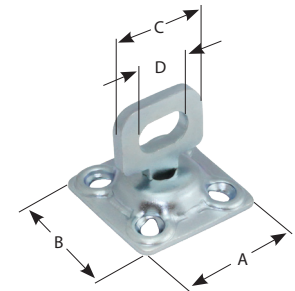
**Large Stamped Staple (Steel)**

Part Number	Plate Thickness	Staple Dia./ Thickness	A	B	C	D	Screw Size	Finish
<b>281U</b>	.152 [3.86]	.365 [9.27]	2.26 [57.4]	1.86 [47.2]	1.57 [39.9]	.85 [21.6]	#9	zinc plated



**Swivel Staple (Steel)**

Part Number	Plate Thickness	Staple Dia./ Thickness	A	B	C	D	Screw Size	Finish
<b>283S</b>	.079 [2.00]	1.77 [4.50]	1.50 [38.1]	1.50 [38.1]	1.06 [26.9]	.63 [16.0]	#7	zinc plated



**Single Point Padlock Type Hasp Latch (Steel)**

Part Number	Material	Finish
<b>295</b>	steel	zinc plated

- ▶ concealed ball and spring prevent hasp disengaging from staple when padlock is not attached
- ▶ accommodates lock shackles of up to  $\varnothing$ .312 [7.92]
- ▶ for doors up to .38 [9.5] thick

