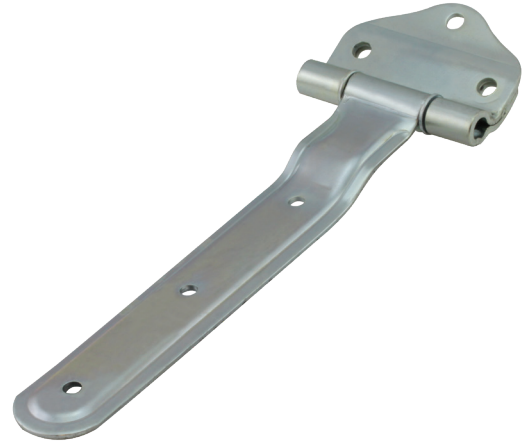


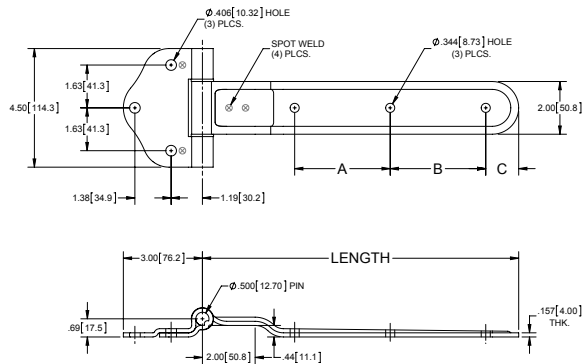
Strap Hinges

Tri-shaped Base with Offset Strap - (6) Holes

Part Number	Material	Finish	A	B	C	Length
H312001 *	steel	zinc plated				
H312001SS *	304SS	mill	3.625	3.625	1.250	12.00
H312001SS-01 *	304SS	passivated	[92.08]	[92.08]	[31.75]	[304.8]
H312001A	aluminum	mill				
H314001 *	steel	zinc plated				
H314001SS *	304SS	mill	3.625	3.625	1.250	14.00
H314001A	aluminum	mill	[92.08]	[92.08]	[31.75]	[355.6]
H316001 *	steel	zinc plated				
H316001SS	304SS	mill	5.625	5.625	1.250	16.00
H316001SS-01	304SS	passivated	[142.88]	[142.88]	[31.75]	[406.4]
H316001A	aluminum	mill				



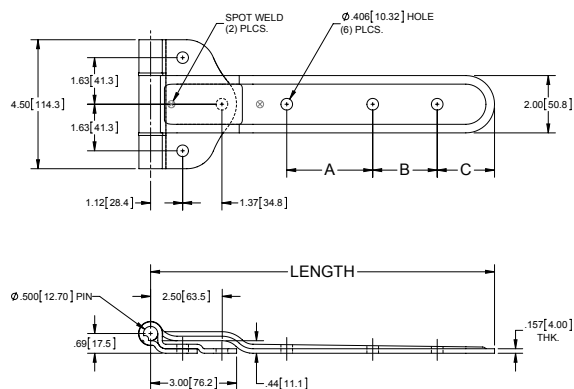
- ▶ aluminum hinges have stainless steel pins and washers
- ▶ * these hinges are stock items
- ▶ non-removable pin



Reverse Tri-shaped Base with Offset Strap - (6) Holes

Part Number	Material	Finish	A	B	C	Length
H312002	steel	zinc plated	3.00	2.25	2.00	12.00
			[76.2]	[57.2]	[50.8]	[304.8]

- ▶ non-removable pin



Custom Options

general options	custom options
	<ul style="list-style-type: none"> ▶ custom hole pattern ▶ square holes ▶ grease fittings
steel (500 piece minimum order)	<ul style="list-style-type: none"> ▶ powder coated ▶ stainless steel pin and washers ▶ brass pin and washers
aluminum (250 piece minimum order)	<ul style="list-style-type: none"> ▶ polished ▶ anodized
stainless steel (250 piece minimum order)	<ul style="list-style-type: none"> ▶ hand polished ▶ electropolished ▶ passivated

- ▶ minimum order quantity will apply for these custom options