

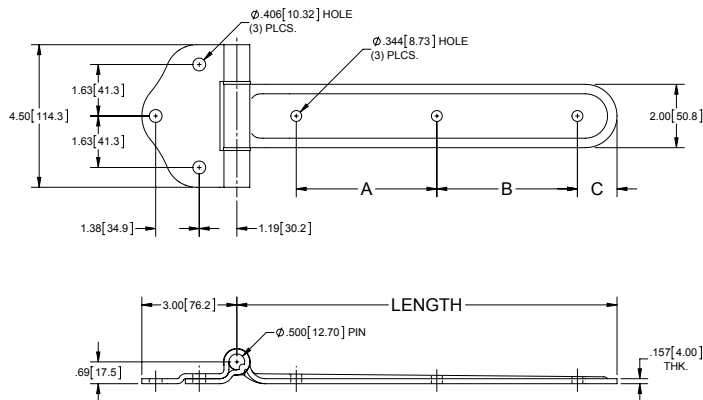
Strap Hinges



Tri-shaped Base with Standard Strap - (6) Holes

Part Number	Material	Finish	A	B	C	Length
H308000 *	steel	zinc plated	2.438	2.438	1.250	8.00
H308000SS	304SS	mill	[61.90]	[61.90]	[31.75]	[203.2]
H308000A	aluminum	mill				
H312000 *	steel	zinc plated	4.438	4.438	1.250	12.00
H312000SS	304SS	mill	[112.73]	[112.73]	[31.75]	[304.8]
H312000A	aluminum	mill				
H314000 *	steel	zinc plated	4.438	4.438	1.250	14.00
H314000SS	304SS	mill	[112.73]	[112.73]	[31.75]	[355.6]
H314000A	aluminum	mill				
H316000 *	steel	zinc plated	6.438	6.438	1.250	16.00
H316000SS	304SS	mill	[163.50]	[163.50]	[31.75]	[406.4]
H316000A	aluminum	mill				

- ▶ aluminum hinges have stainless steel pins and washers
- ▶ * these hinges are stock items
- ▶ non-removable pin



Custom Options

general options	<ul style="list-style-type: none"> ▶ custom hole pattern ▶ square holes ▶ grease fittings
steel (500 piece minimum order)	<ul style="list-style-type: none"> ▶ powder coated ▶ stainless steel pin and washers ▶ brass pin and washers
aluminum (250 piece minimum order)	<ul style="list-style-type: none"> ▶ polished ▶ anodized
stainless steel (250 piece minimum order)	<ul style="list-style-type: none"> ▶ hand polished ▶ electropolished ▶ passivated

▶ minimum order quantity will apply for these custom options

Shims



Part Number	Material	Finish
H3-01	steel	blue zinc
H3-01SS	304SS	mill
H3-01A	aluminum	mill

▶ material thickness: .125 [3.18]

Tri-shaped Base with Offset Strap - (5) Holes

Part Number	Material	Finish	A	B	Length
H308001 *	steel	zinc plated			
H308001SS	304SS	mill	3.313	1.250	8.00
H308001SS-01	304SS	passivated	[84.15]	[31.75]	[203.2]
H308001A	aluminum	mill			

- ▶ aluminum hinges have stainless steel pins and washers
- ▶ * these hinges are stock items
- ▶ non-removable pin

