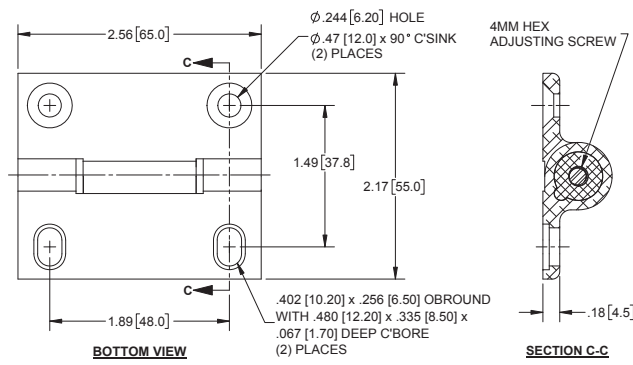


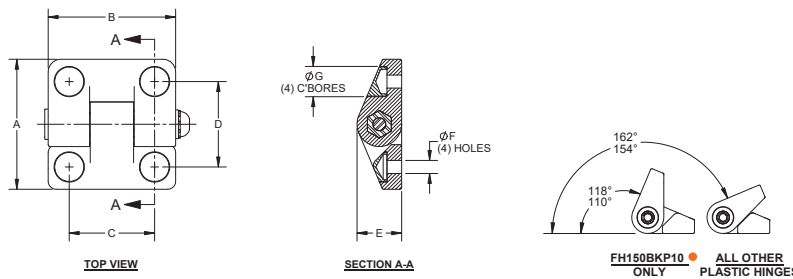
Aluminum Adjustable Friction Hinge

Part Number	Material	Finish
H2217	aluminum	brushed

▶ 304SS adjusting screw



PAT. Plastic Adjustable Friction Hinges



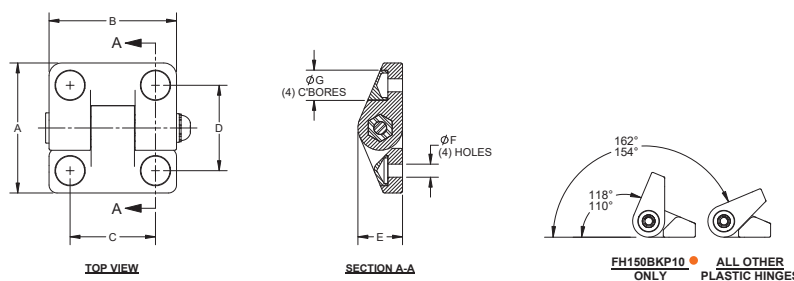
Patented

Part Number	Color	Dimensions							Max Prevailing Torque	Radial Tensile Load Strength	Axial Load Strength	Recommended Screw Size
		A	B	C	D	E	F	G				
FH100BKP	black	1.45	1.78	1.25	1.00	.52	Ø.167	Ø.365	7 in lb.	working 100 lb. ultimate 400 lb.	working 80 lb. ultimate 200 lb.	#8 round head screw
FH100WTP	white	[36.8]	[45.2]	[31.8]	[25.4]	[13.2]	[4.24]	[9.27]				
FH150BKP	black	2.04	2.00	1.34	1.34	.70	Ø.205	Ø.475	25 in lb.	working 100 lb. ultimate 575 lb.	working 100 lb. ultimate 400 lb.	#10 round or pan head screw
FH150WTP	white											
FH150BKP10	black	2.255	2.70	1.88	1.50	.78	Ø.265	Ø.575	35 in lb.	working 150 lb. ultimate 700 lb.	working 120 lb. ultimate 450 lb.	1/4" round or pan head screw
FH200BKP	black											
FH200WTP	white											

- ▶ plastic leaves with 300 series stainless steel components
- ▶ hinge tension can be set by adjusting screw
- ▶ finish: lightly textured matte finish

- based on a 180° flat surface installation, part number **FH150BKP10** has an operating angle rotation of 110°/118°. All other hinges are 154°/162°.

PAT. Non-Friction Plastic Hinges



Patented

Part Number	Color	Dimensions							Radial Tensile Load Strength	Axial Load Strength	Recommended Screw Size
		A	B	C	D	E	F	G			
H1100BK	black	1.45	1.78	1.25	1.00	.52	Ø.167	Ø.365	working 100 lb. ultimate 400 lb.	working 80 lb. ultimate 200 lb.	#8 round head screw
H1100WT	white	[36.8]	[45.2]	[31.8]	[25.4]	[13.2]	[4.24]	[9.27]			

- ▶ plastic leaves with 300 series stainless steel components
- ▶ finish: lightly textured matte finish