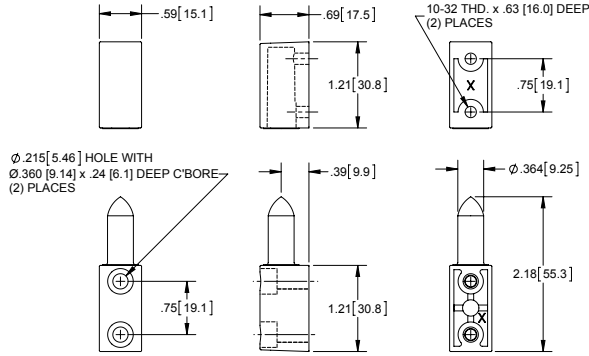


2.50 [63.5] Lift-off Hinges with Through Holes

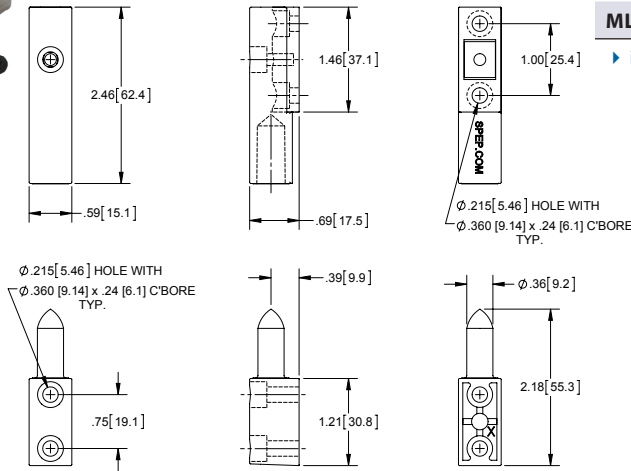


Part Number	Material	Finish	Caps
ML32	die cast zinc	matte black powder coat	yes
ML32-01	die cast zinc	matte black powder coat	no

- ▶ includes Delrin washer
- ▶ (2) rubber caps (part no. ML30-C)
- ▶ only female leaf has through holes

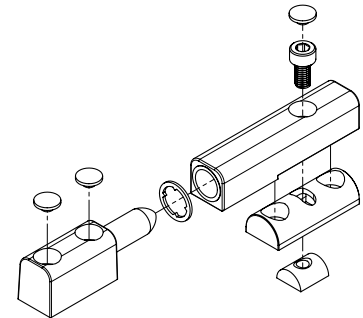
3.72 [94.4] Adjustable In-Line Lift-off Hinges with Caps and Through Holes

316SS

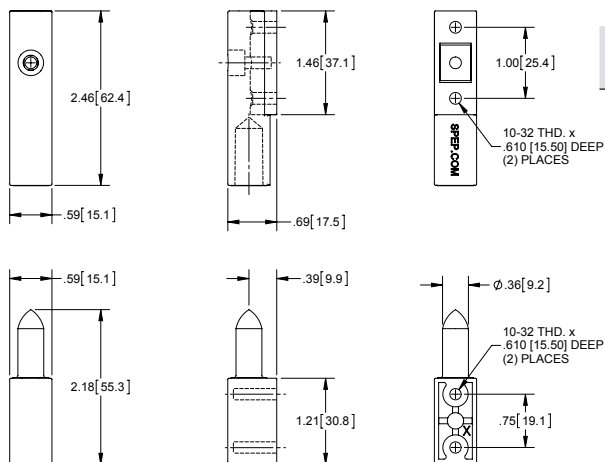


Part Number	Material	Finish
ML35	die cast zinc	matte black powder coat
ML35SST	316SS	brushed

- ▶ includes Delrin washer



3.72 [94.4] Adjustable In-Line Lift-off Hinges with Threaded Holes



Part Number	Material	Finish	Thread Size
ML36	die cast zinc	matte black powder coat	10-32
ML37	die cast zinc	matte black powder coat	M5

- ▶ includes Delrin washer

