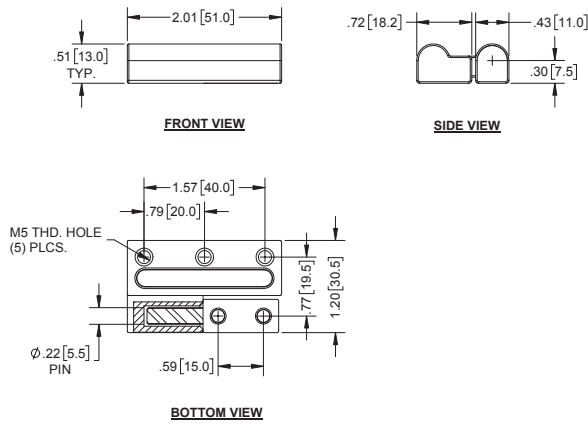
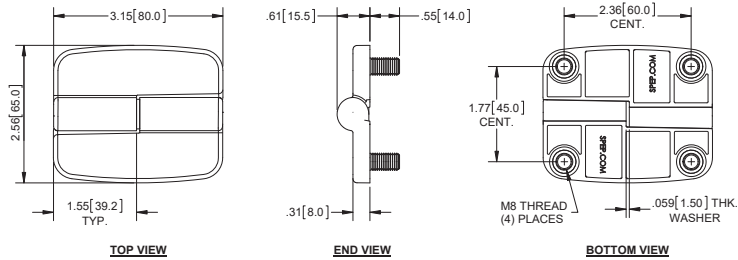


Die Cast Zinc Offset Lift-off Hinge



Part No.	Material	Finish
H2273BK	die cast zinc	black powder coated

Die Cast Zinc Lift-off Hinges



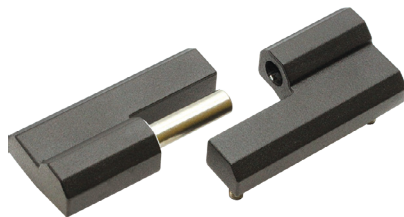
Part Number	Description	Material	Finish
ML51LH	left hand	die cast zinc	textured black powder coat
ML51RH	right hand	die cast zinc	textured black powder coat

▶ 304SS pin, studs and washer

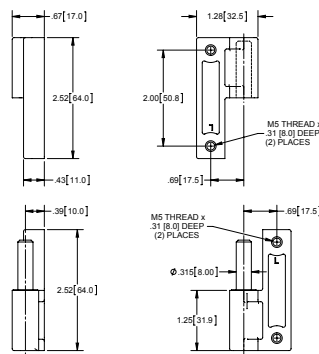
2.50 [63.5] Offset Lift-off Hinges with Threaded Holes or Studs



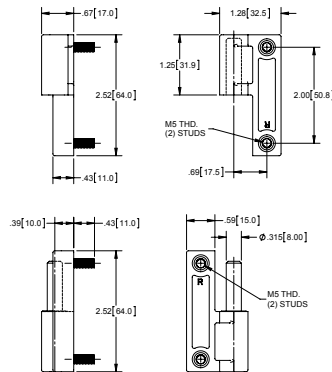
part number: **ML55LH**
left hand shown



part number: **ML55RH-01**
right hand shown



part number: **ML55LH**
left hand shown



part number: **ML55RH-01**
right hand shown

Part Number	Description	Leaves Material	Leaves Finish	Thread Size
ML55LH	left hand	die cast zinc	matte black powder coat	M5
ML55RH	right hand	die cast zinc	matte black powder coat	M5
ML55LH-01	left hand	die cast zinc	matte black powder coat	M5 studs
ML55RH-01	right hand	die cast zinc	matte black powder coat	M5 studs

▶ 304SS pin and studs