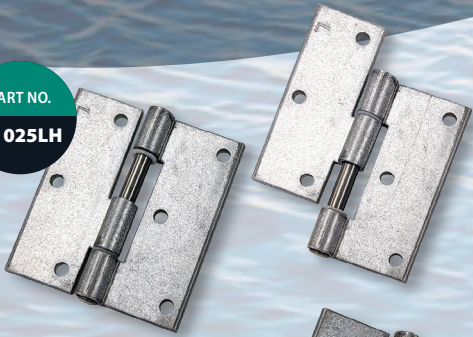




# LIFT GATE HINGES

PART NO.  
**H1025LH**



PART NO.  
**H1025RH**



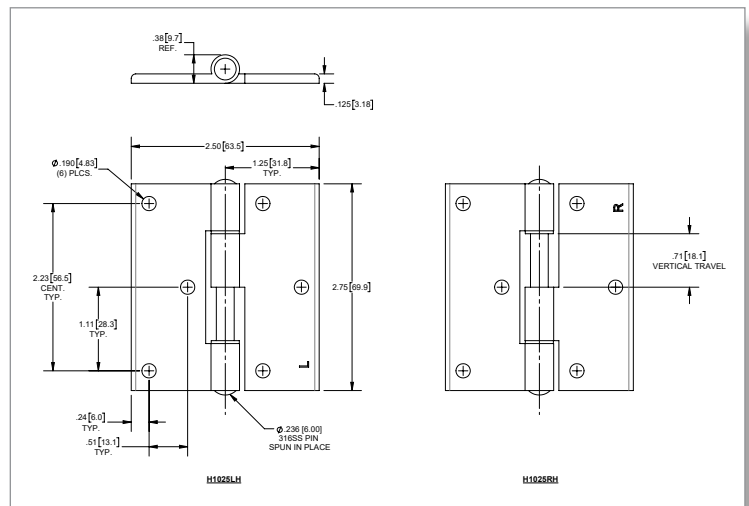
## HIGHLIGHTS / FEATURES

- ▶ Made with aluminum for maximum corrosion resistance.
- ▶ Constructed with 316SS pin and nylon washers for smooth operation.
- ▶ Available in Left and Right Hand.
- ▶ Hinges provide approx. ¾" lift travel which allows for lifting & locking gate into door stop.

## APPLICATION



## TECHNICAL DETAILS



Part Number	Material / Finish	Description
<b>H1025LH</b>	aluminum / tumbled	left hand
<b>H1025RH</b>		right hand