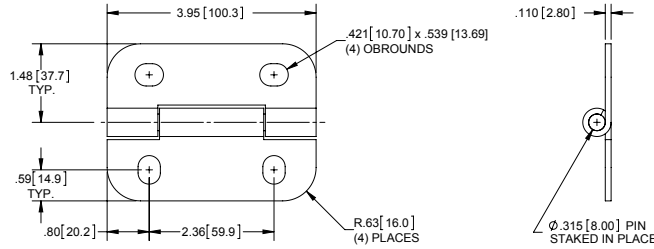


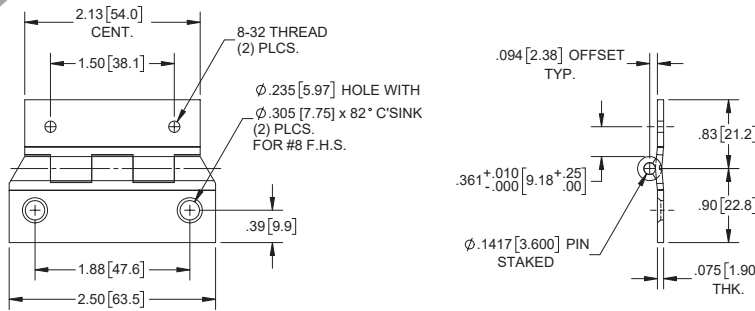
### Black Stainless Steel Butt Hinge



Part Number	Material	Finish
12SS30401BK	304SS	black powder

► obrounds on top leaf have a horizontal orientation and bottom obrounds have a vertical orientation

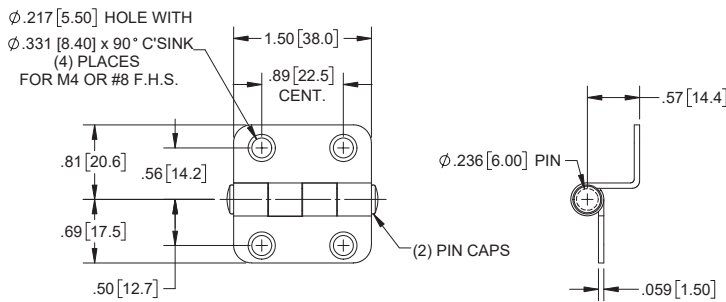
### Stamped Butt Hinges



Part Number	Material	Finish
H2099NP	steel	nickel plated
H2099SS	304SS	satin
H2099BK	steel	zinc plated then black powder coated

► mounting screw size #8 F.H.S.

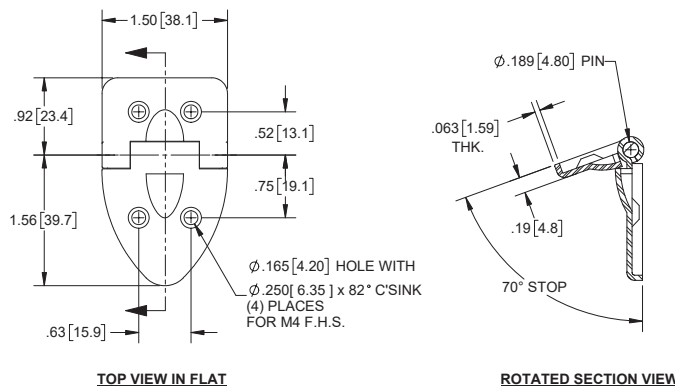
### Butt Hinge with Reverse Assembled Formed Leaf



Part No.	Material	Finish
H2266SS	304SS	brushed

► mounting screw size M4 or #8 F.H.S.

### Stamped Butt Hinge



Part No.	Leaf Material	Pin Material
H2005	steel	nickel plated

► mounting screw size M4