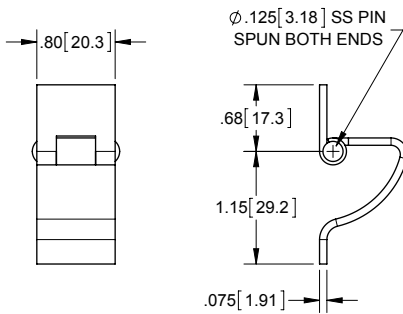
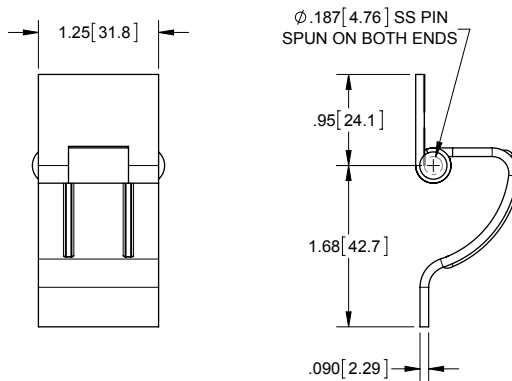


Concealed Hinge with 1.83 [46.5] Open Width



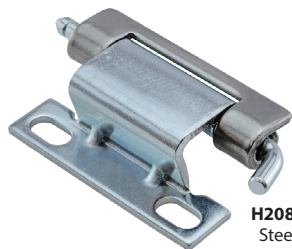
| Part Number | Material | Finish |
|-------------|----------|------------------|
| CH71808 | steel | tumbled deburred |
| CH71808A | aluminum | tumbled deburred |
| CH71808SS | 304SS | electropolished |

Concealed Hinges with 1.63 [41.4] Open Width

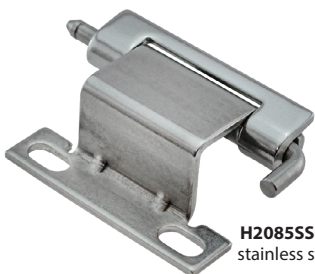


| Part Number | Material | Finish |
|-------------|----------|-----------------|
| CH92612 | steel | mill |
| CH92612ZN | steel | zinc plated |
| CH92612A | aluminum | mill |
| CH92612SS | 304SS | electropolished |

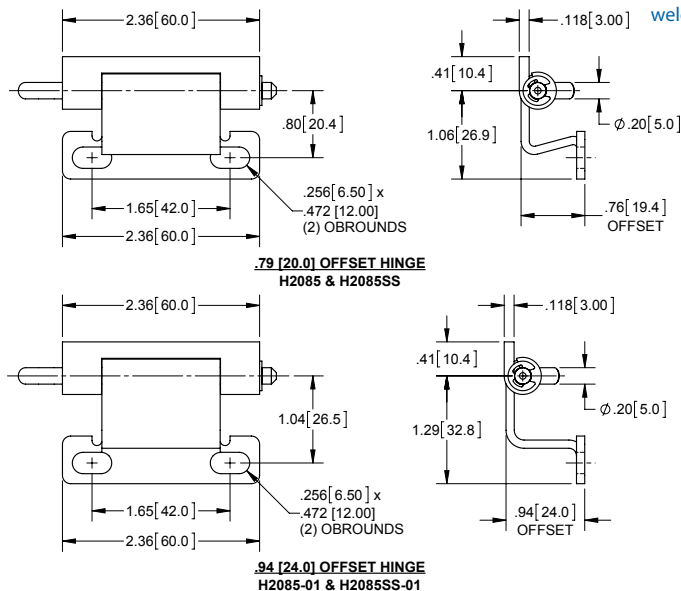
Concealed Hinges with Removable Pin



H2085
Steel



H2085SS-01
stainless steel



| Part Number | Material | Finish |
|-------------|-----------------|--------------------|
| H2085 | steel | mill / zinc plated |
| H2085SS | stainless steel | mill |
| H2085-01 | steel | mill / zinc plated |
| H2085SS-01 | stainless steel | mill |

▶ small leaf of steel hinges have a mill finish for welding; all other components are zinc plated