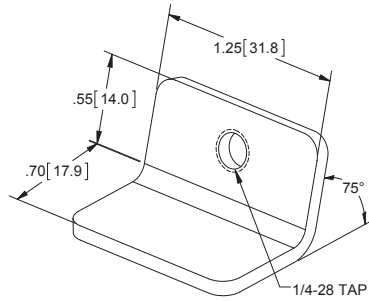
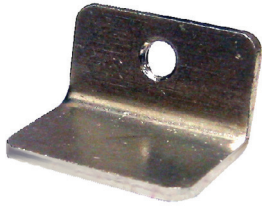
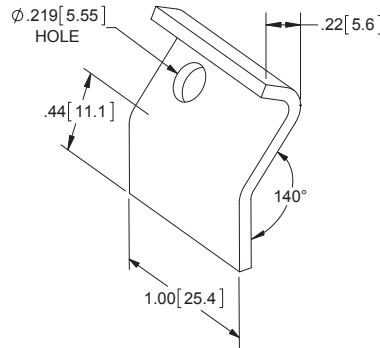


### JIC Clamp Bracket



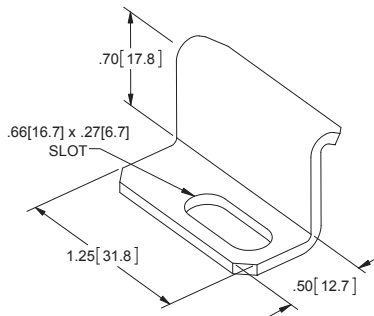
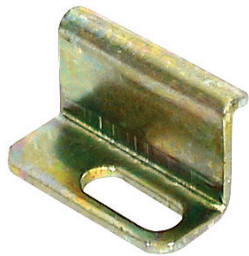
Part Number	Material	Finish	Thread	Material Thickness
<b>182</b>	steel	mill	1/4-28	.098 [2.50]
<b>182SS</b>	304SS	tumbled	1/4-28	.105 [2.67]
<b>182SS01</b>	316SS	tumbled	1/4-28	.105 [2.67]

### JIC Lift-Off Hinge



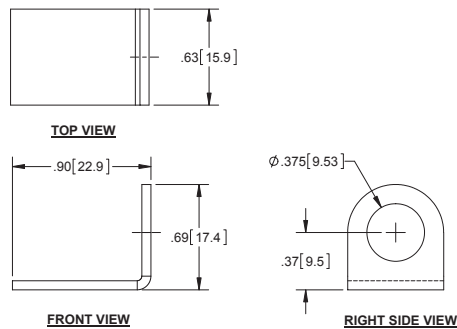
Part Number	Material	Finish	Material Thickness
<b>184</b>	steel	mill	.075 [1.91]
<b>184SS</b>	304SS	tumbled	.075 [1.91]
<b>184A</b>	aluminum	tumbled	.075 [1.91]
<b>184SS01</b>	316SS	tumbled	.075 [1.91]

### JIC Cover Clamp



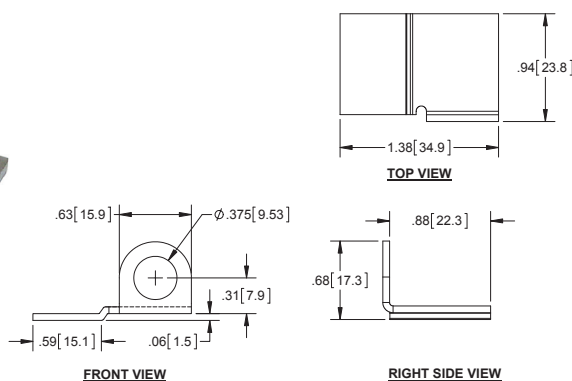
Part Number	Material	Finish	Material Thickness
<b>16ZN</b>	steel	yellow zinc plated	.074 [1.88]
<b>16SS</b>	304SS	tumbled	.074 [1.88]
<b>16SS-01</b>	316SS	tumbled	.074 [1.88]

### JIC Padlock Box Staples



Part Number	Material	Finish	Material Thickness
<b>J3061</b>	steel	mill	.063 [1.60]
<b>J3061SS</b>	304SS	tumbled	.063 [1.60]

### JIC Padlock Cover Staples



Part Number	Material	Finish	Material Thickness
<b>J3060</b>	steel	mill	.063 [1.60]
<b>J3060SS</b>	304SS	tumbled	.063 [1.60]