

Kit Part No. 15ZN - 1/4-20 Steel Lever

Part Number	Qty.	Description
1450ZN	1	1/4-28 lever clamp, steel
1490ZN	1	hold-down clamp, steel
X1402-01	1	spring, 316SS
X1403-01	1	.63 [15.9] O.D. washer, 316SS
X1406-01	1	.50 [12.7] O.D. washer, 316SS

Kit Part No. 15SS - 1/4-28 Stainless Steel Lever

Part Number	Qty.	Description
1450SS	1	1/4-28 lever clamp, 304SS
1490SS	1	hold-down clamp, 304SS
X1402-01	1	spring, 316SS
X1403-01	1	.63 [15.9] O.D. washer, 316SS
X1406-01	1	.50 [12.7] O.D. washer, 316SS

Kit Part No. 15SS01 - 1/4-20 Stainless Steel Lever

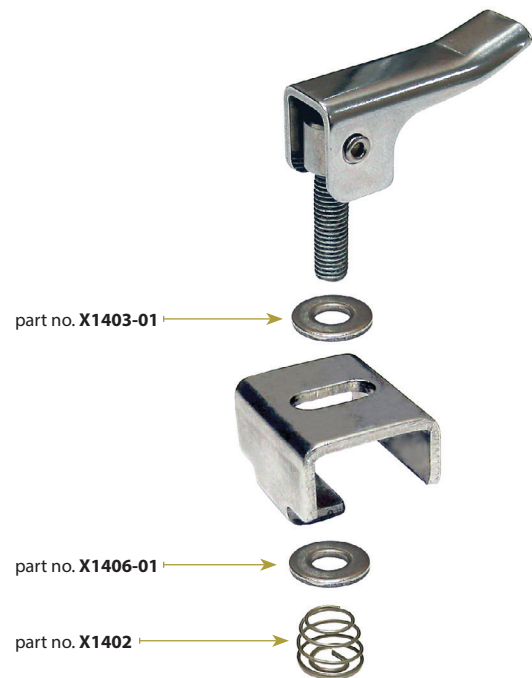
Part Number	Qty.	Description
1451SS	1	1/4-20 lever clamp, 304SS
1490SS	1	hold-down clamp, 304SS
X1402-01	1	spring, 316SS
X1403-01	1	.63 [15.9] O.D. washer, 316SS
X1406-01	1	.50 [12.7] O.D. washer, 316SS

Kit Part No. 15SS02 - 1/4-28 316SS Lever

Part Number	Qty.	Description
1450SS-02	1	1/4-28 lever clamp, 316SS
1490SS01	1	hold-down clamp, 316SS
X1402-01	1	spring, 316SS
X1403-01	1	.63 [15.9] O.D. washer, 316SS
X1406-01	1	.50 [12.7] O.D. washer, 316SS

Features

- ▶ all parts meet NEMA 12 enclosure access requirements
- ▶ all sub-components may be purchased separately

**NEMA Lever Clamp**

Part Number	Material.	Finish	Thread	Material Thickness
1450ZN	steel	zinc plated	1/4-28	.074 [1.88]
1450SS	304SS	mill	1/4-28	.074 [1.88]
1451SS	304SS	mill	1/4-20	.074 [1.88]
1450SS-02	316SS	mill	1/4-28	.074 [1.88]

