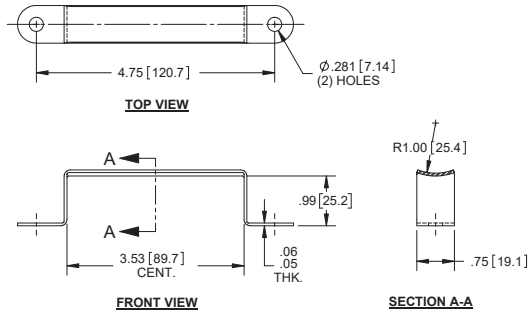
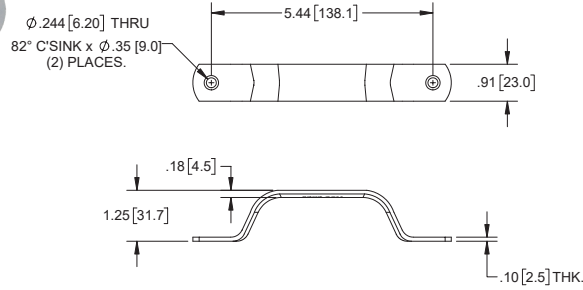


Formed Pulls



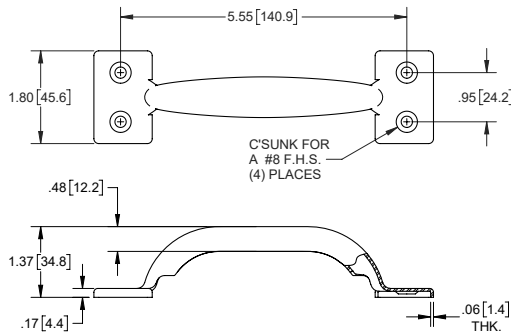
Part Number	Material	Finish
J3126	galvanized steel	mill
J3126SS	304SS	mill

Steel Formed Pull



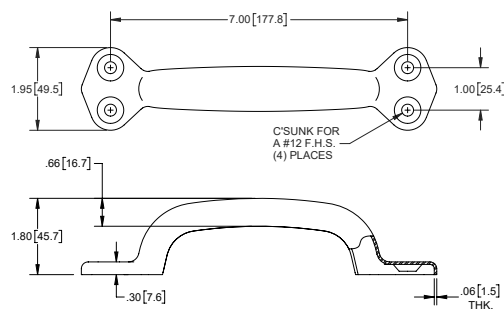
Part Number	Material	Finish
J3129	steel	zinc plated

Formed Pulls



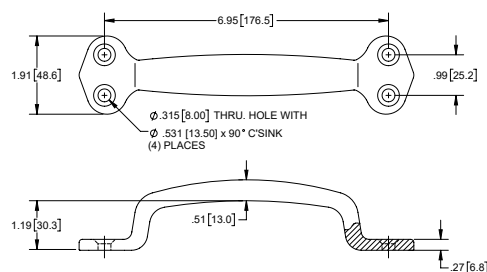
Part Number	Material	Finish	Hole Size
917	steel	zinc plated	$\phi .2190 [5.563]$
917SS	304SS	electropolished	$\phi .2190 [5.563]$
928BK	steel	black powder coated	$\phi .252 [6.40]$

Formed Pulls



Part Number	Material	Finish
983	steel	chrome plated
983SS	304SS	electropolished
983SS-01	304SS	electropolished then hand polished

Die Cast Zinc Pull



Part Number	Material	Finish
983DC	die cast zinc	chrome plated