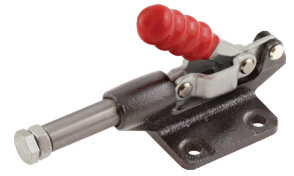
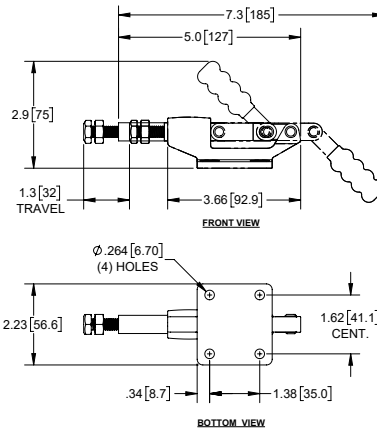


Push Pull Toggle Clamp with 45° Lever

Part Number	Material	Finish
J3321	steel	zinc plated

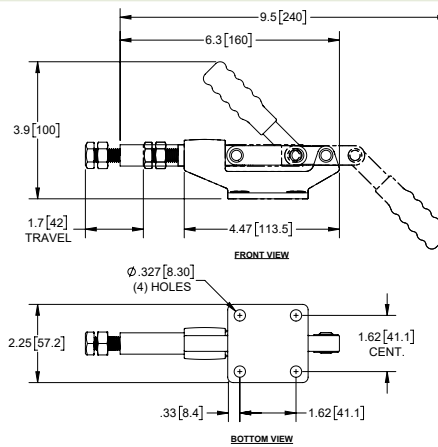
- ▶ red plastic grip
- ▶ black painted base
- ▶ holding capacity: 501 Lbs. [227 Kg]



Push Pull Toggle Clamp with 45° Lever

Part Number	Material	Finish
J3322	steel	zinc plated

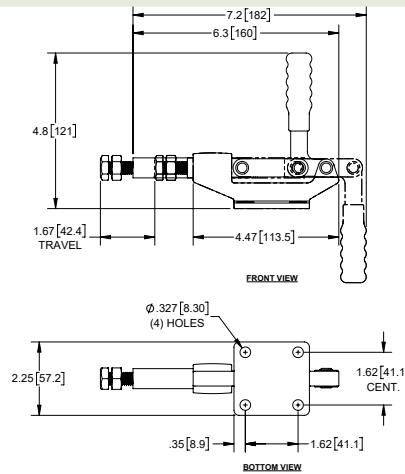
- ▶ red plastic grip
- ▶ black painted base
- ▶ holding capacity: 851 Lbs. [386 Kg]



Push Pull Toggle Clamp with 90° Lever

Part Number	Material	Finish
J3323	steel	zinc plated

- ▶ red plastic grip
- ▶ black painted base
- ▶ holding capacity: 851 Lbs. [386 Kg]



Push Pull Toggle Clamp with Stamped Base & 30° Lever

Part Number	Material	Finish
J3320	steel	zinc plated

- ▶ red plastic grip
- ▶ holding capacity: 300 Lbs. [136 Kg]

