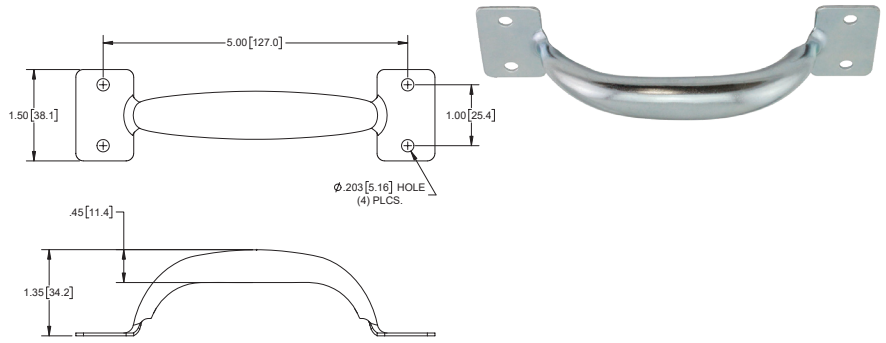


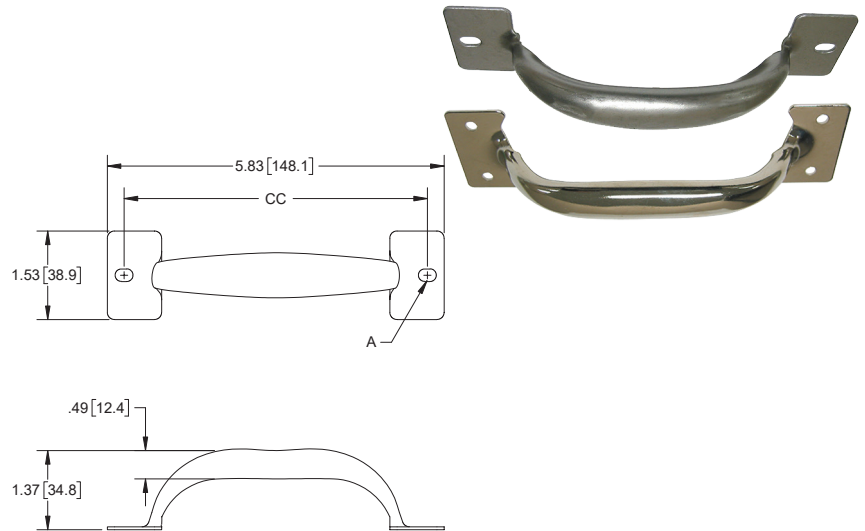
Formed Pull

Part Number	Material	Finish
920-04	steel	zinc plated



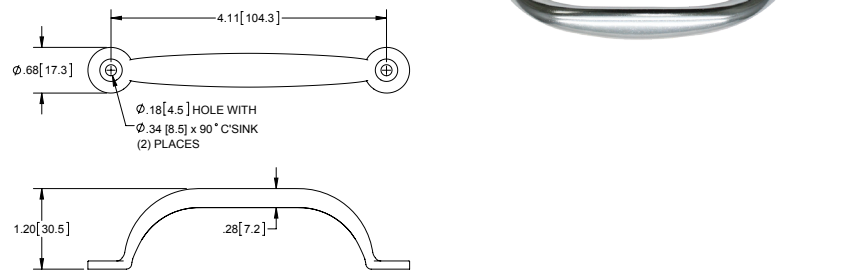
Formed Pulls

Part Number	A	Material	Finish	CC
920	none	steel	mill	5.25 [133.4]
920-01	Ø.260 [6.60] (2) holes	steel	mill	5.125 [130.2]
920-02	.312 [7.92] x .218 [5.54] (2) obrounds	steel	mill	5.25 [133.4]
921	none	304SS	electropolished	5.25 [133.4]
921-01	.312 [7.92] x .218 [5.54] (2) obrounds	304SS	electropolished	5.25 [133.4]
922	Ø.161 [4.09] (4) holes	steel	mill	5.25 [133.4]
924	Ø.161 [4.09] (4) holes	steel	nickel plated	5.25 [133.4]



Formed Pull

Part Number	Material	Finish
911ZN	steel	zinc plated



Formed Pulls

Part Number	Material	Finish
914	steel	zinc plated
915	steel	brass plated, lacquered

