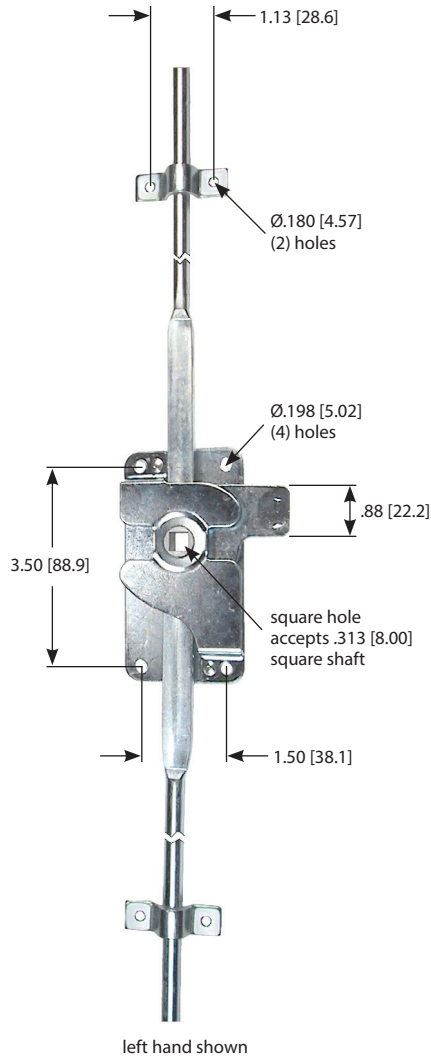


Door Latch Sets

3-Point Latch Set with Stamped Cam

Part Number	L or R	Finish
720LH	left hand	zinc plated
720RH	right hand	zinc plated

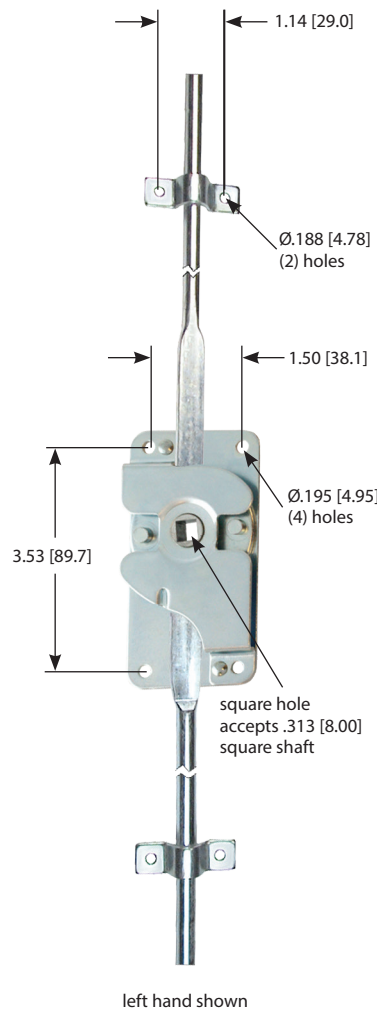
- ▶ (2) Ø.312 [7.92] x 48 [1,219] long steel rods
- ▶ (2) steel rod guides included in set
- ▶ no override
- ▶ see handle selection on pages 40-55



2-Point Latch Set

Part Number	L or R	Finish
720LH-03	left hand	zinc plated
720RH-03	right hand	zinc plated

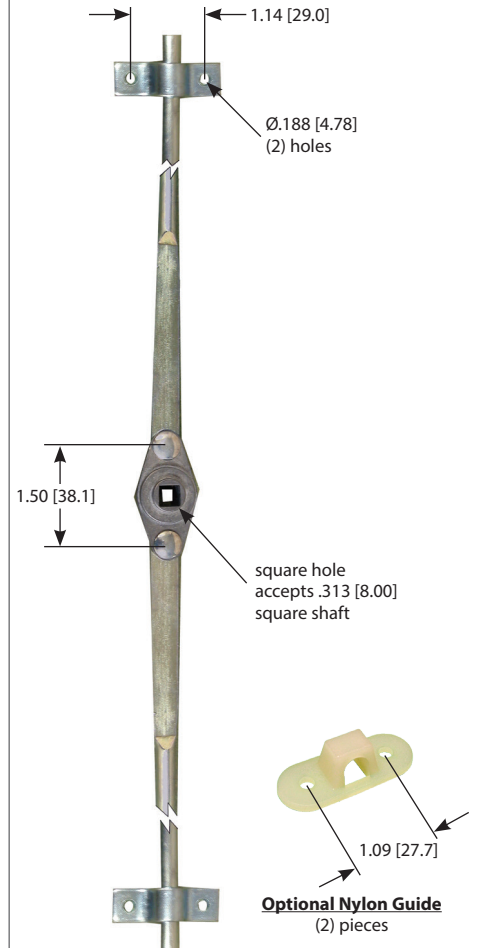
- ▶ (2) Ø.312 [7.92] x 48 [1,219] long steel rods
- ▶ (2) steel rod guides included in set
- ▶ no override
- ▶ see handle selection on pages 40-55



2-Point Swivel Set with Rod Guides

Part Number	Description	Finish
72248	with steel rod guide	zinc plated
72248N	with nylon rod guide	zinc plated

- ▶ (2) Ø.312 [7.92] x 48.75 [1,238.3] long steel rods
- ▶ attaches to .312 [7.92] square shaft with set screw
- ▶ (2) rod guides included in set (see table for material option)
- ▶ no override
- ▶ see handle selection on pages 40-55



3-Point Rod Assembly

Part Number	Cam		Rods	
	Material	Finish	Material	Finish
712	die cast zinc	mill	aluminum	none

- ▶ see handle selection on pages 40-55

