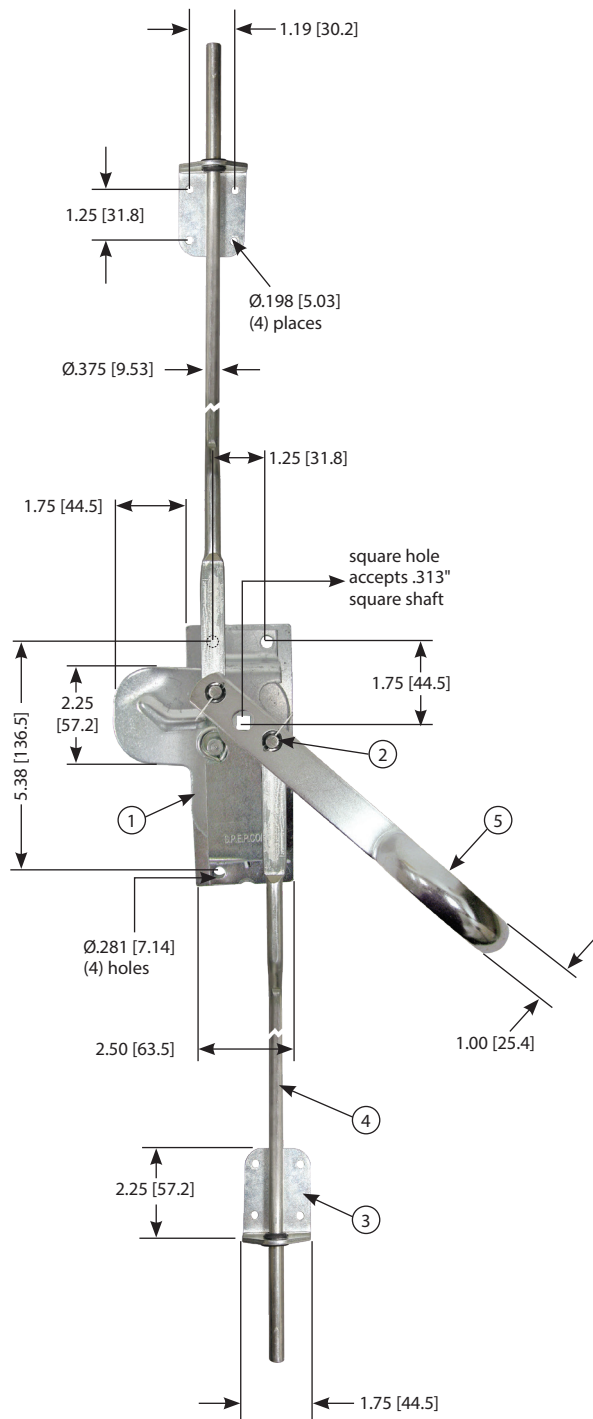


Three Point Door Latches with Ø3/8" Rods and Stamped Cam



Features

- ▶ three point center case (part no. **716-05**) allows the inside handle to override the outside handle, even if the outside handle is locked or jammed (used with handles that have a 180° or 360° rotation only)
- ▶ each part number may be ordered separately

With Dampening Rod Guide - No Inside Release

| Part No. 716-04 | | |
|-----------------|--------------------|--|
| Item | Component Part No. | Description |
| 1 | 716-01 | three point center case with no inside release |
| 2 | 717 | hardware kit includes: (2) cotter pins and (2) wave washers |
| 3 | 718 | (2) dampening rod guides |
| 4 | 719-48.00 | (2) 48.00 [1,219.2] x Ø.38 [9.5] connecting rods |

With Dampening Rod Guide - With Inside Release

| Part No. 716-06 | | |
|-----------------|--------------------|--|
| Item | Component Part No. | Description |
| 1 | 716-05 | three point center case with inside release |
| 2 | 717 | hardware kit includes: (2) cotter pins and (2) wave washers |
| 3 | 718 | (2) dampening rod guides |
| 4 | 719-48.00 | (2) 48.00 [1,219.2] x Ø.38 [9.5] connecting rods |
| 5 | 736-01 | inside handle |

With Spring Loaded Rod Guide - No Inside Release

| Part No. 716-11 | | |
|-----------------|--------------------|--|
| Item | Component Part No. | Description |
| 1 | 716-01 | three point center case with no inside release |
| 2 | 717 | hardware kit includes: (2) cotter pins and (2) wave washers |
| 3 | 718-01 | (2) spring loaded rod guides |
| 4 | 719-48.00 | (2) 48.00 [1,219.2] x Ø.38 [9.5] connecting rods |

With Spring Loaded Rod Guide - With Inside Release

| Part No. 716-12 | | |
|-----------------|--------------------|--|
| Item | Component Part No. | Description |
| 1 | 716-05 | three point center case with inside release |
| 2 | 717 | hardware kit includes: (2) cotter pins and (2) wave washers |
| 3 | 718-01 | (2) spring loaded rod guides |
| 4 | 719-48.00 | (2) 48.00 [1,219.2] x Ø.38 [9.5] connecting rods |
| 5 | 736-01 | inside handle |