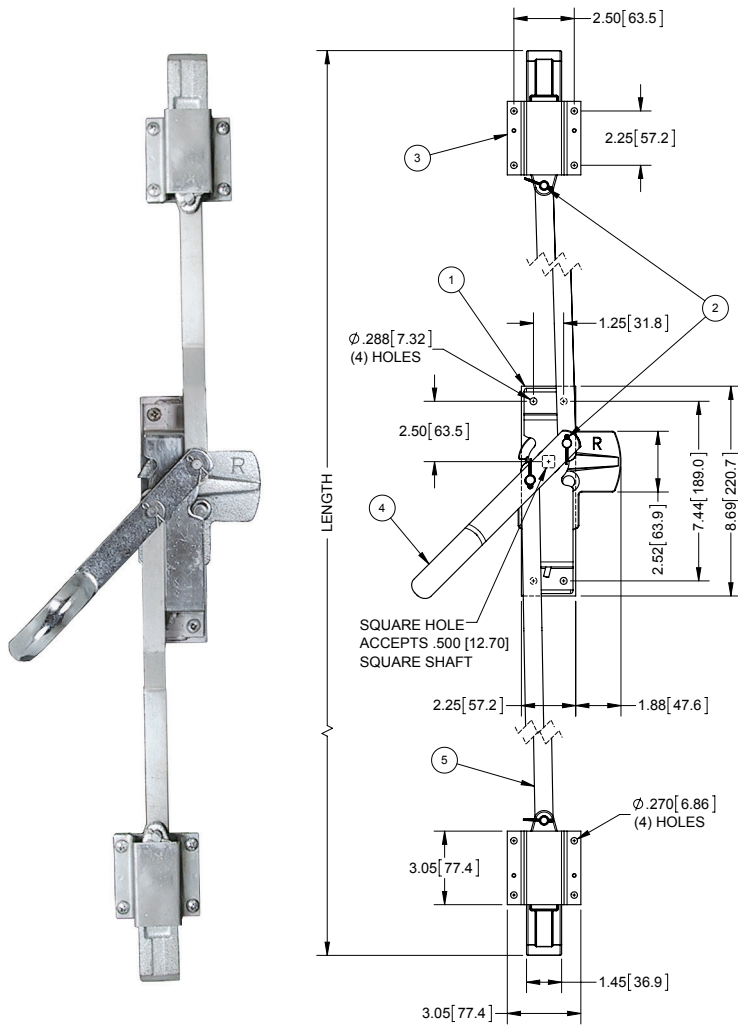


# Heavy Duty Three Point Door Latches for 1/2" Sq. Shaft



### Features

- ▶ three point center case allows the inside handle to override the outside handle, even if the outside handle is locked or jammed (used with handles that have a 180° or 360° rotation only)
- ▶ all parts are zinc plated
- ▶ accepts handles with .500 [12.70] sq. shaft. (refer to handles on pages 40-55)
- ▶ each part number may be ordered separately
- ▶ other rod lengths available
- ▶ \* available in 316SS as a kit — part no. **731SS** (kit includes: center case, hardware kit & inside handle)
- ▶ \*\* available in 316SS and in different lengths

### Lock with 33.25 [844.6] Connecting Rods

Part No. **730-01** - length: 73.1 [1,857] - 76.2 [1,936]

Item	Component Part No.	Description
1	<b>730*</b>	three point center case
2	<b>732*</b>	hardware kit includes: leaf spring, (4) cotter pins, (8) 3/8 [10] flat washers, (2) 3/8 [10] clevis pins
3	<b>734</b>	(2) end bolts and housings
4	<b>736*</b>	inside release handle
5	<b>737**</b>	(2) 33.25 [844.6] connecting rods

### Lock with 48.00 [1,219.2] Connecting Rods

Part No. **730-02** - length: 102.6 [2,606] - 105.7 [2,685]

Item	Component Part No.	Description
1	<b>730*</b>	three point center case
2	<b>732*</b>	hardware kit includes: leaf spring, (4) cotter pins, (8) 3/8 [10] flat washers, (2) 3/8 [10] clevis pins
3	<b>734</b>	(2) end bolts and housings
4	<b>736*</b>	inside release handle
5	<b>739**</b>	(2) 48 [1,219] connecting rods

### Lock with 43.88 [1,114.6] Connecting Rods

Part No. **730-03** - length: 94.4 [2,398] - 97.5 [2,477]

Item	Component Part No.	Description
1	<b>730*</b>	three point center case
2	<b>732*</b>	hardware kit includes: leaf spring, (4) cotter pins, (8) 3/8 [10] flat washers, (2) 3/8 [10] clevis pins
3	<b>734</b>	(2) end bolts and housings
4	<b>736*</b>	inside release handle
5	<b>740**</b>	(2) 43.88 [1,114.6] connecting rods

### Lock with 36.00 [914.4] Connecting Rods

Part No. **730-04** - length: 78.6 [1,996] - 81.7 [2,075]

Item	Component Part No.	Description
1	<b>730*</b>	three point center case
2	<b>732*</b>	hardware kit includes: leaf spring, (4) cotter pins, (8) 3/8 [10] flat washers, (2) 3/8 [10] clevis pins
3	<b>734</b>	(2) end bolts and housings
4	<b>736*</b>	inside release handle
5	<b>738**</b>	(2) 36 [914] connecting rods

### Lock with 36.00 [914.4] Connecting Rods - No Inside Release Handle

Part No. **730-08** - length: 78.6 [1,996] - 81.7 [2,075]

Item	Component Part No.	Description
1	<b>730*</b>	three point center case
2	<b>732*</b>	hardware kit includes: leaf spring, (4) cotter pins, (8) 3/8 [10] flat washers, (2) 3/8 [10] clevis pins
3	<b>734</b>	(2) end bolts and housings
5	<b>738**</b>	(2) 36 [914] connecting rods

### Striker Plate

Part No. **J3079SS**



#### Dimensions

6.23" L x .88" W x .125" thick  
[158.2L x 22.4W x 3.18 thick]

▶ material: 316SS

### Rod Guide

Part No. **714SS**



#### Dimensions

.88" H x 3.00" W x .94" thick  
[22.4H x 76.2W x 2.39 thick]

▶ material: 316SS