

Sierra Pacific Engineering and Products now offers a wide range of flexible draw latches with various installation options.

# Flexible Draw Latches

**NEW PRODUCT FAMILY**

SIZES

small  
medium  
large



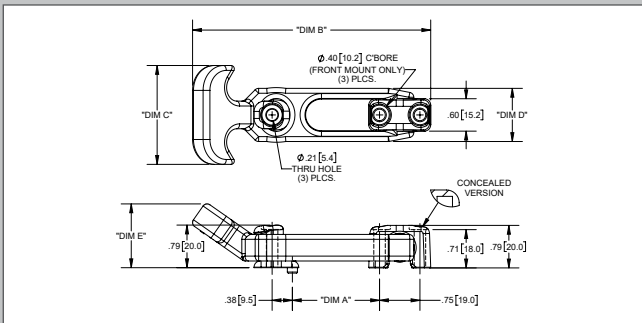
## Technical Details

### Front Mount

Assembled with No. 10 (M5) screw or 3/16 (5) rivet (not supplied)

### Concealed Mount

10-24 threaded (screws not supplied)  
Thread-forming (3 screws supplied)



## Features/Highlights

- Flammability rating: UL94-HB
- Black thermoplastic elastomer handle
- Black glass reinforced nylon keeper and bracket
- UV-Resistant
- Non-corrosive, non-conductive
- Absorbs and reduces vibration
- Adapts well to alignment irregularities

small

Part No.	Dim A	Dim B	Dim C	Dim D	Dim E	Mount	Mounting Hardware	Clamping Force
241-100	1.61±.1 [41.0 ± 3.2]	4.41 [112.0]	1.83 [46.5]	.98 [25.0]	1.18 [30.0]	Front	screws <b>not</b> included	13 lbf (58 N)
Concealed						10-24 thread, screws <b>not</b> included		
241-155						Concealed	SS thread-forming screws included	

medium

Part No.	Dim A	Dim B	Dim C	Dim D	Dim E	Mount	Mounting Hardware	Clamping Force
241-200	2.83±.1 [72.0 ± 3.2]	6.62 [165.5]	1.81 [46.0]	1.25 [31.75]	1.10 [28.0]	Front	screws <b>not</b> included	30 lbf (133 N)
241-250						Concealed	10-24 thread, screws <b>not</b> included	
241-255						Concealed	SS thread-forming screws included	

large

Part No.	Dim A	Dim B	Dim C	Dim D	Dim E	Mount	Mounting Hardware	Clamping Force
241-300	4.61±.1 [117.0 ± 3.2]	8.66 [220.0]	1.81 [46.0]	1.25 [31.75]	1.10 [28.0]	Front	screws <b>not</b> included	25 lbf (111 N)
241-350						Concealed	10-24 thread, screws <b>not</b> included	
241-355						Concealed	SS thread-forming screws included	

### application



MATERIAL: EPDM, GF Nylon FINISH: Black, UV Stable