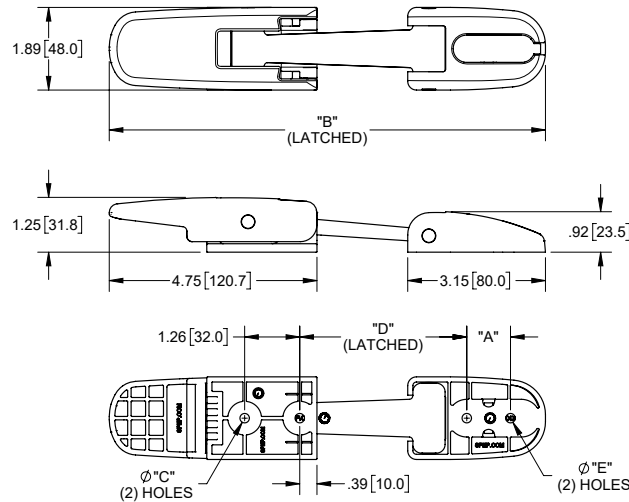


UV Flexible Draw Latches

Part Number	Dim A	Dim B	Dim C	Dim D	Dim E	Average Clamp Force	Material	Finish
240-100 * *	1.00 [25.4]	10.0 [253.0]	.22 [5.5]	3.82 [97.0]	.22 [5.5]	25 LBS	nylon	black, lightly textured
240-150	1.00 [25.4]	10.0 [253.0]	.22 [5.5]	3.82 [97.0]	.22 [5.5]	25 LBS		
240-200	1.00 [25.4]	14.9 [378.0]	.22 [5.5]	8.74 [222.0]	.22 [5.5]	43 LBS		
240-300	1.25 [31.8]	11.8 [300.0]	.26 [6.6]	5.67 [144.0]	.26 [6.6]	79 LBS		

- ▶ latch body material: EPDM with smooth black finish
- ▶ pin material: stainless steel with black finish
- ▶ screw cap cover included
- ▶ * part no. **240-100** - latch body is more flexible than part no. **240-150**
- * money saver



Plastic Draw Latches

Part Number	Size	Material	Finish
223BK-01	small	plastic	smooth, black
223BK	large	plastic	smooth, black

- ▶ living hinge draw latch
- ▶ low profile
- ▶ keeper is concealed when latched

