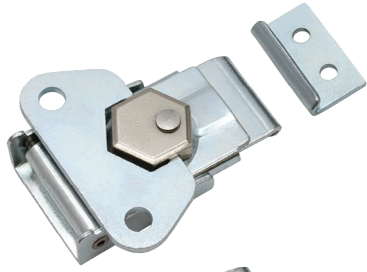


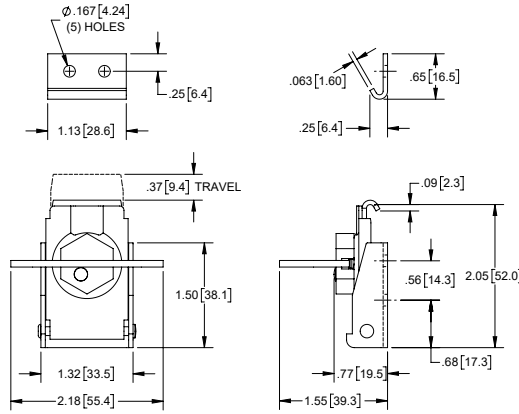
### Medium Twist Latches with Hex Cam



Part No. **208902\***  
same as part no. **2089**  
except without twist wing

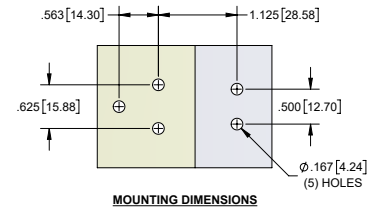


Part No. **208903\*\***  
same as part no. **208902**  
except slotted hex cap

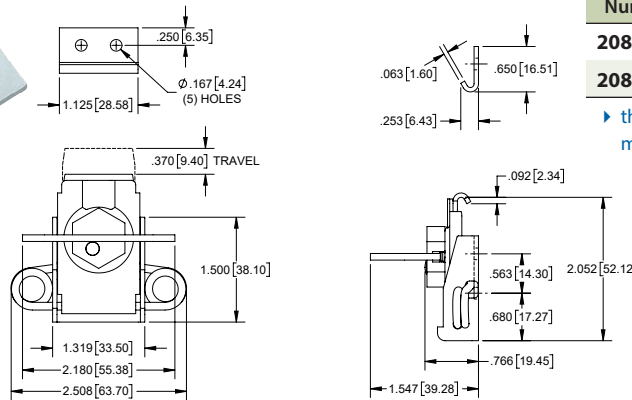
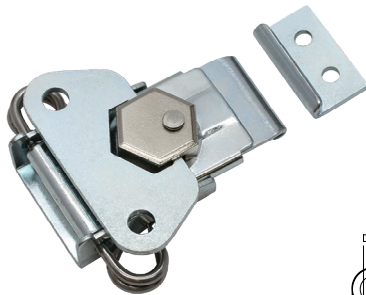


Part Number	Description	Material	Finish
<b>2089</b>	latch	steel	zinc plated
<b>2089BK01</b>	latch	steel	black powder coated
<b>208902*</b>	latch	steel	zinc plated
<b>208903**</b>	latch	steel	zinc plated
<b>2088</b>	keeper	steel	zinc plated
<b>2088BK</b>	keeper	steel	black powder coated

▶ latches with hex head can be activated with a wrench

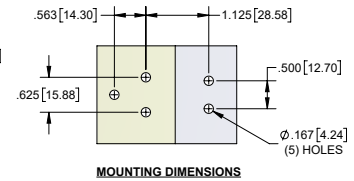


### Medium Spring Loaded Twist Latches with Hex Cam

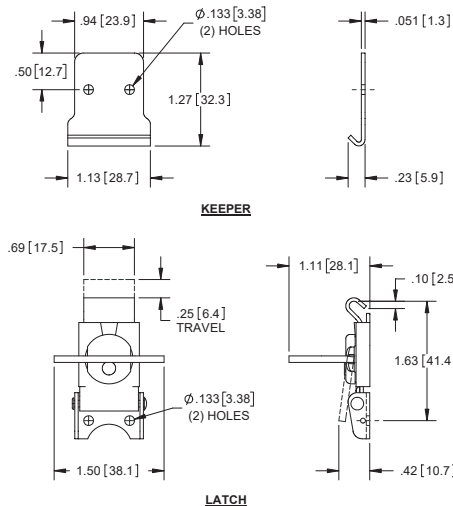
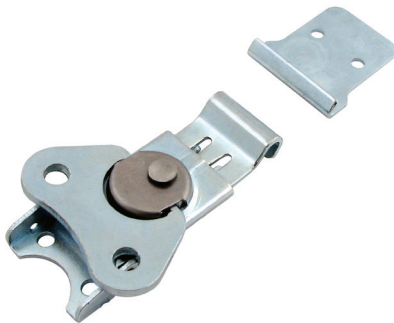


Part Number	Description	Material	Finish
<b>208905</b>	latch	steel	zinc plated
<b>2088</b>	keeper	steel	zinc plated

▶ the spring compensates for up to  $.156 [4.00]$  misalignment



### Small Low Profile Twist Latches



Part Number	Description	Material	Finish
<b>2085</b>	latch	steel	zinc plated
<b>2085SS</b>	latch	300 series stainless steel	tumbled
<b>2086</b>	keeper	steel	zinc plated
<b>2086SS</b>	keeper	304SS	tumbled
<b>2086BK</b>	keeper	steel	black e-coat

