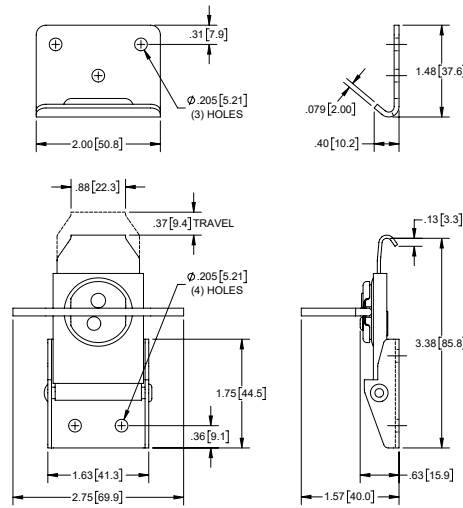


### Large Twist Latches

Part Number	Description	Material	Finish
2098*	latch	steel	zinc plated
2098SS	latch	300 series stainless steel	tumbled
2096	2" wide keeper	steel	zinc plated
209601	3" wide keeper	steel	zinc plated
2096SS	2" wide keeper	304SS	tumbled
2099*	polybagged	steel	zinc plated & tumbled

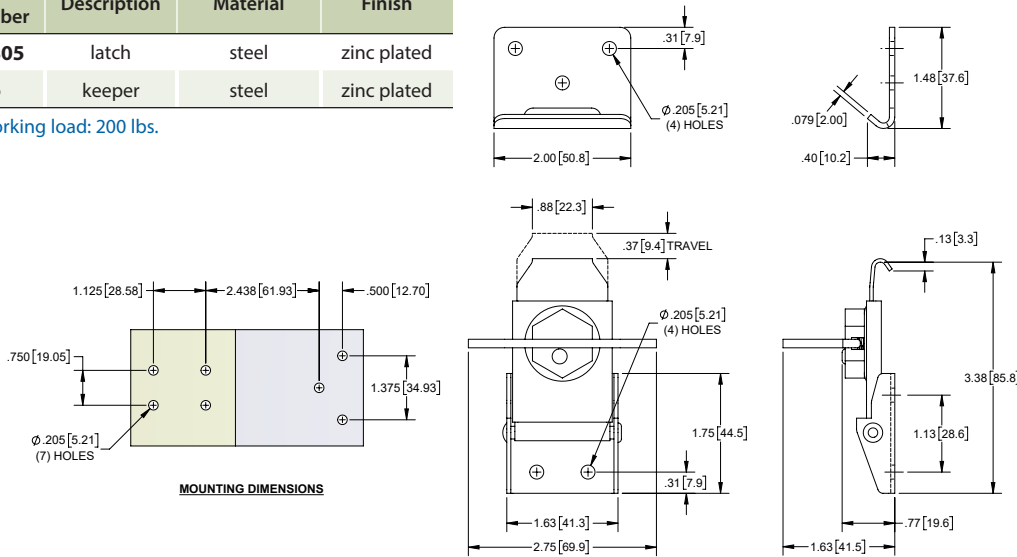
- ▶ working load: 200 lbs.
- ▶ \*latch is made of steel with a stainless steel slide
- ▶ polybagged part number 2099 contains one 2098 latch and one 2096 keeper per sealed polybag.
- ▶ see illustration below for mounting hole details



### Large Twist Latch with Hex Cam

Part Number	Description	Material	Finish
209805	latch	steel	zinc plated
2096	keeper	steel	zinc plated

- ▶ working load: 200 lbs.



### Large Spring Loaded Twist Latches

Part Number	Description	Material	Finish
2095*	latch	steel	zinc plated
2095SS	latch	300 series stainless steel	tumbled
2096	keeper	steel	zinc plated
2096SS	keeper	304SS	tumbled
2097	polybagged	steel	zinc plated
2097SS	polybagged	304SS	tumbled

- ▶ see illustration above for mounting hole details
- ▶ the spring compensates for up to .16 [4.0] misalignment
- ▶ \*part number 2095 is steel with stainless slide
- ▶ part number 2097 contains one 2095 latch and one 2096 keeper per sealed polybag
- ▶ part number 2097SS contains one 2095SS latch and one 2096SS keeper per sealed polybag
- ▶ working load: 200 lbs.

