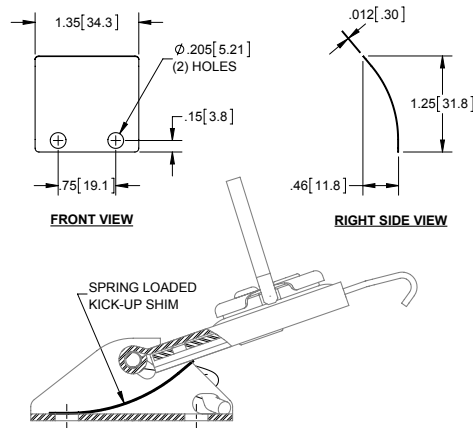


Kick-up Shim for Large Twist Latches

Part Number	Material	Finish
209511SS	301SS	passivated

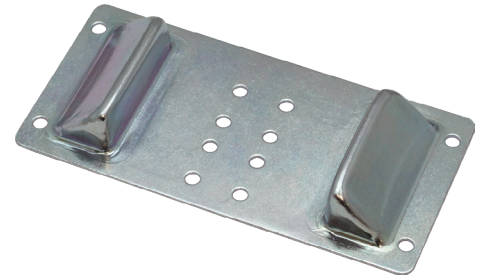
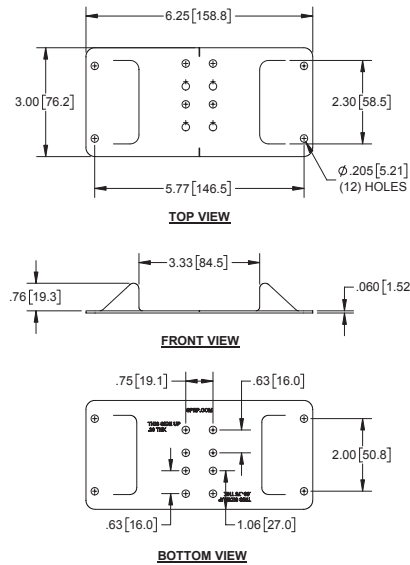
- mounts on latch base to create a spring loaded effect on the catch for a one handed operation



Protector Plates for Large Twist Latches

Part Number	Material	Finish
209BP	steel	zinc plated
209BPSS	304SS	electropolished

- protects latch from getting damaged, accidentally unlatching, or getting hooked on something during transportation
- multiple mounting holes for greater adjustment options
- large twist latches can be ordered installed on protector plates



Large Twist Latch and Protector Plate Assemblies

Part Number	Material	Finish	Latching Dim.	Recommended Panel Thickness
2095BP	steel	zinc plated	1.18 [30.0]	3/8"
2098BP	steel	zinc plated	1.13 [28.8]	3/8"
209805BP	steel	zinc plated	1.13 [28.8]	3/8"
2095BP-01	steel	zinc plated	1.56 [39.6]	1/2" - 3/4"
2098BP-01	steel	zinc plated	1.56 [39.6]	1/2" - 3/4"
209805BP-01	steel	zinc plated	1.56 [39.6]	1/2" - 3/4"

- assembly includes one latch (2095, 2098 or 209805) and one 209BP steel protector plate riveted with stainless steel rivets
- latch component has stainless steel slide

