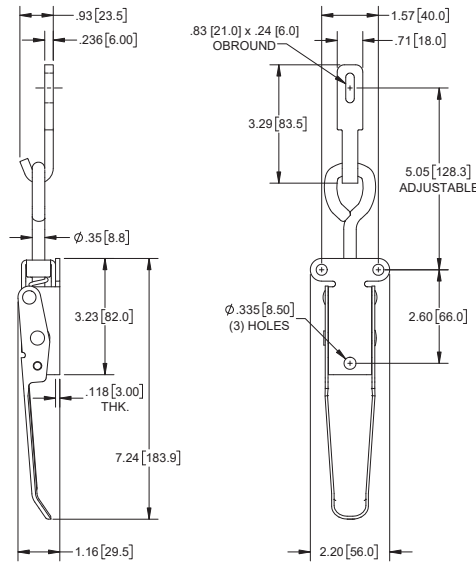
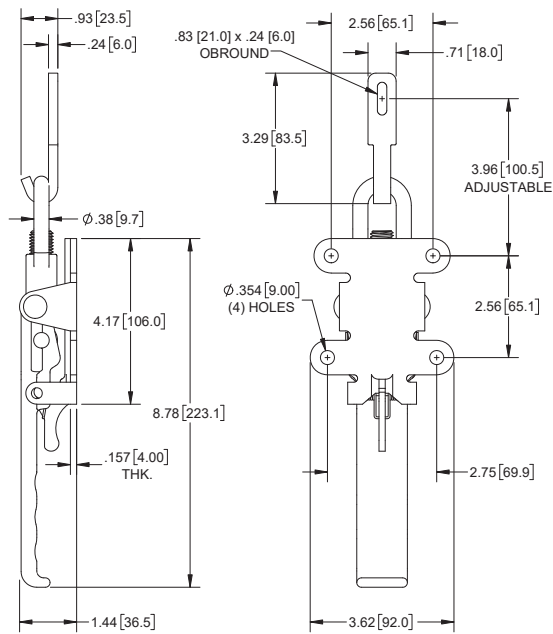
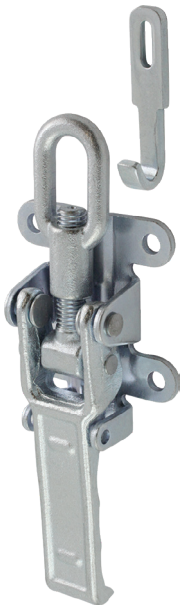


Adjustable Spring Loaded Draw Pull Latch



Part Number	Material	Finish
2135ZN	steel	zinc plated

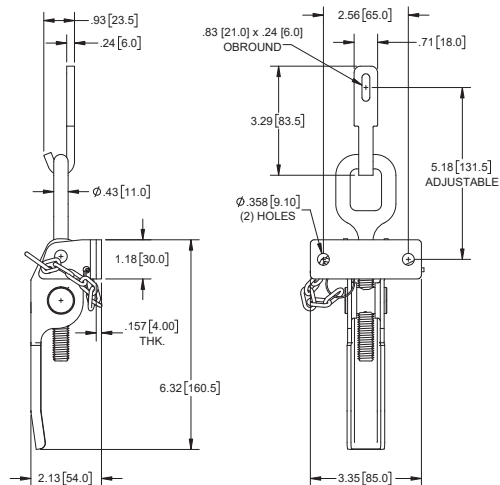
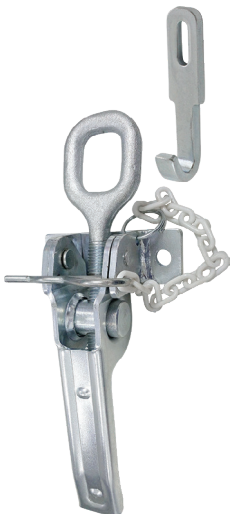
Adjustable Draw Pull Latch



Part Number	Material	Finish
2138ZN	steel	zinc plated

► features a secondary spring-loaded latch for added security

Adjustable Draw Pull Latch



Part Number	Material	Finish
2137ZN	steel	zinc plated

► features a chained cotter pin for added security