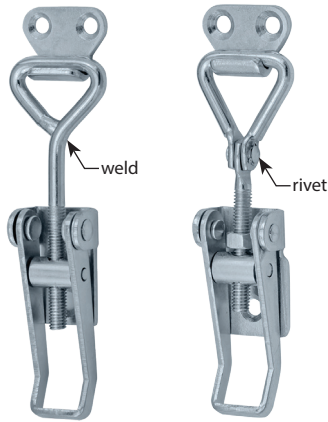


Adjustable Draw Pull Latch with Keeper

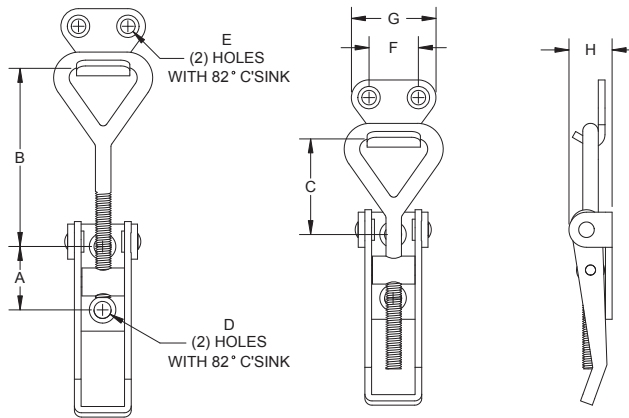


2160 & 2160SS
welded

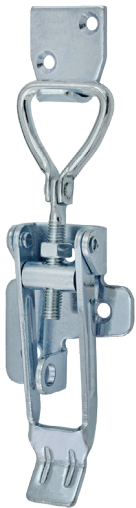
2162 & 2162SS
riveted

Part Number	Material	Finish	A	B	C	D	E	F	G	H
2160	steel	zinc	.708 [17.98]	2.03 [51.6]	1.04 [26.4]	Ø.191 [4.85] w/82° c'sink	Ø.162 [4.11] w/82° c'sink	.550 [13.97]	.94 [23.88]	.55 [14.0]
2160SS	304SS	polished	.708 [17.98]	2.03 [51.6]	.84 [21.3]	Ø.195 [4.95] w/82° c'sink	Ø.156 [3.96] w/82° c'sink	.550 [13.97]	.94 [23.88]	.55 [14.0]
2162	steel	zinc	.672 [17.07]	2.66 [67.6]	1.68 [42.7]	Ø.208 [5.28] w/82° c'sink	Ø.208 [5.28] w/82° c'sink	.688 [17.48]	1.19 [30.23]	.66 [16.7]
2162SS	304SS	polished	.672 [17.07]	2.66 [67.6]	1.68 [42.7]	Ø.208 [5.28] w/82° c'sink	Ø.208 [5.28] w/82° c'sink	.688 [17.48]	1.19 [30.23]	.66 [16.7]

▶ part numbers **2162** and **2162SS** have a riveted catch that pivots as shown on the picture



Adjustable Draw Pull Latch with Keeper, Padlocking



Part Number	Material	Finish
2168	steel	zinc
2168SS	304SS	mill

▶ accepts up to 5/16" padlock

