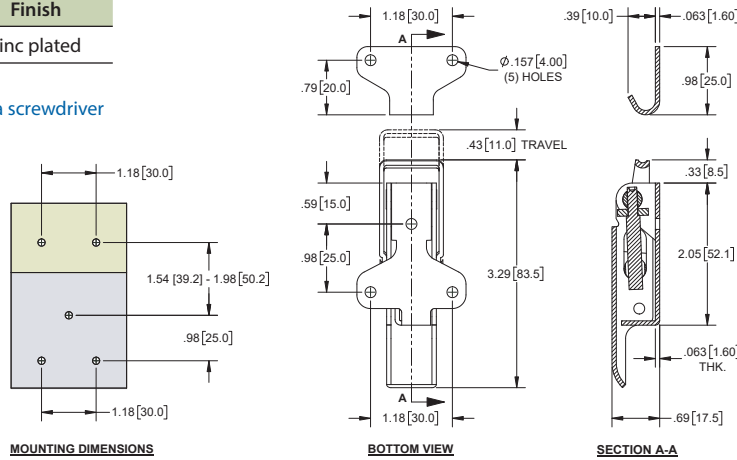


Adjustable Draw Pull Latch

Part Number	Material	Finish
2066ZN	steel	zinc plated

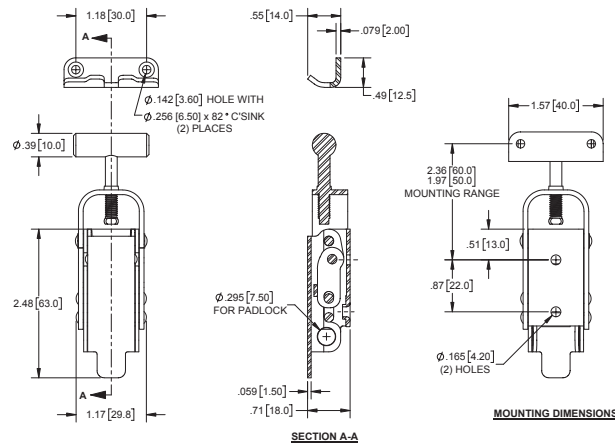
- ▶ max working load: 27 lbs.
- ▶ catch distance may be adjusted with a screwdriver



Large Adjustable Draw Pull Latch, Padlockable

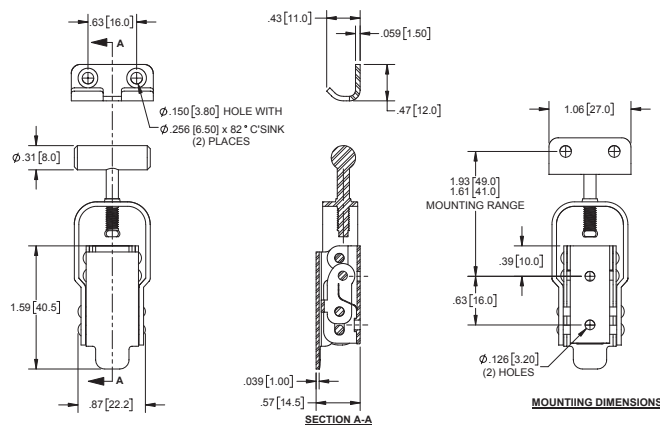
Part Number	Material	Finish
2068SS-01	304SS	barrel polished

- ▶ accepts up to 1/4" padlock



Small Adjustable Draw Pull Latch

Part Number	Material	Finish
2068SS-02	304SS	barrel polished



Adjustable, Padlockable Draw Pull Latch

Part Number	Description	Material / Finish
2076ZN-L	latch	steel /
2076ZN-K	keeper	zinc plated

- ▶ working load: 1100 LBS
- ▶ ultimate load: 2200 LBS

