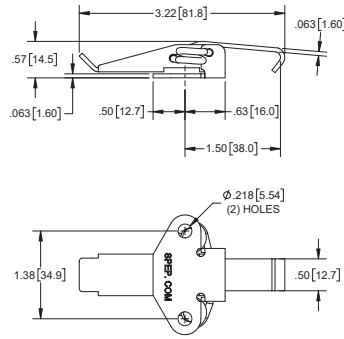
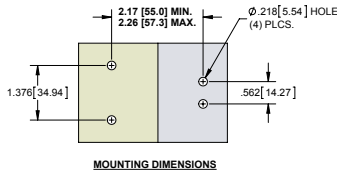


### 1.50" Spring Loaded Over Center Latches

Part Number	Description	Material	Finish
2142ZN-L	latch	steel	zinc plated
2142SS-L	latch	304SS	passivated

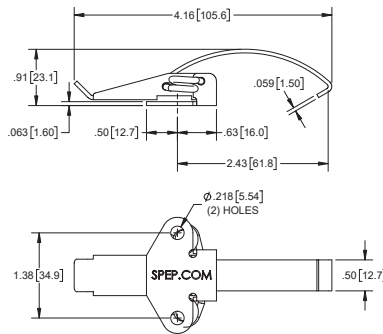
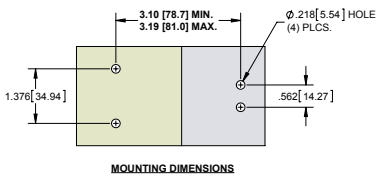
- ▶ latch and keeper surfaces must be on the same plane
- ▶ springs are to compensate for misalignment



### 2.50" Spring Loaded Over Center Latch

Part Number	Description	Material	Finish
2144ZN-L	latch	steel	zinc plated

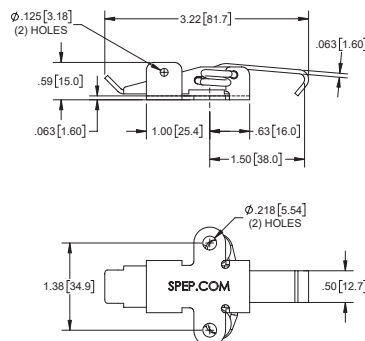
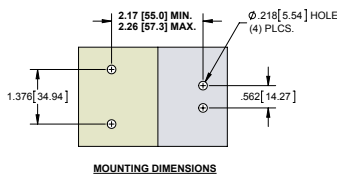
- ▶ latch and keeper surfaces must be on the same plane
- ▶ springs are to compensate for misalignment



### 1.50" Wire Sealing Spring Loaded Over Center Latches

Part Number	Description	Material	Finish
2146ZN-L	latch	steel	zinc plated
2146SS-L	latch	304SS	passivated

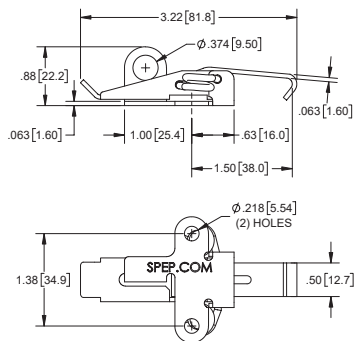
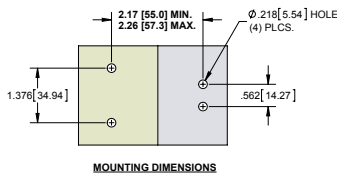
- ▶ latch and keeper surfaces must be on the same plane
- ▶ springs are to compensate for misalignment



### 1.50" Padlocking Spring Loaded Over Center Latches

Part Number	Description	Material	Finish
2148ZN-L	latch	steel	zinc plated
2148SS-L	latch	304SS	passivated

- ▶ latch and keeper surfaces must be on the same plane
- ▶ springs are to compensate for misalignment



### Keepers

Part Number	Description	Material	Finish
2142ZN-K	keeper	steel	zinc plated
2142SS-K	keeper	304SS	passivated

- ▶ used with latches on this page (sold separately)

