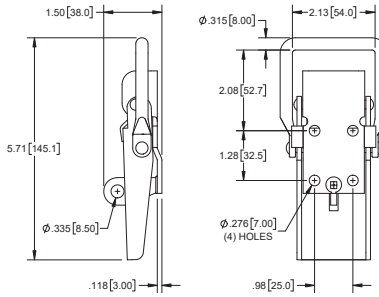


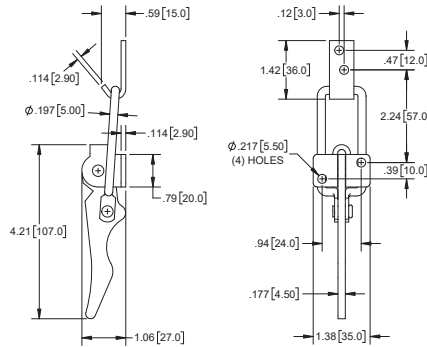
### Draw Pull Latch with Padlock Hole



Part Number	Material	Finish
2133ZN-L	steel	zinc plated
2133BK-L	steel	black e-coat

- ▶ accepts up to 5/16" padlock
- ▶ keeper available separately as part no. 2076ZN-K on page 187 (zinc plated finish only)

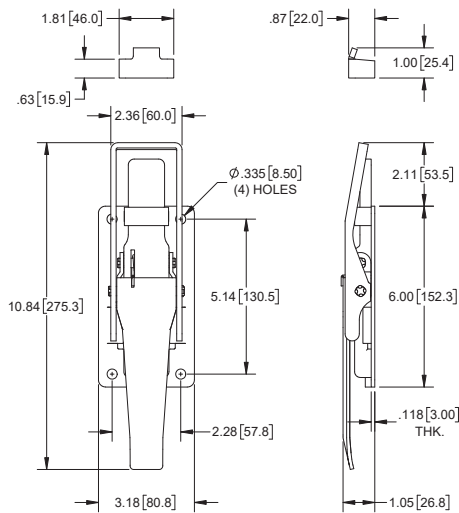
### Lever Draw Pull Latch



Part Number	Material	Finish
2073ZN	steel	zinc plated

- ▶ working load: 110 lbs.

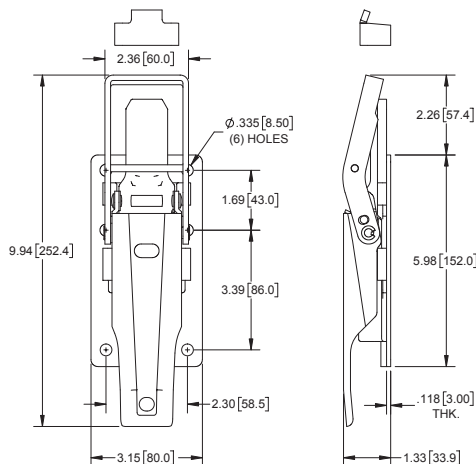
### Heavy Duty Spring Loaded Draw Pull Latch with Cast Steel Bolt



Part Number	Material	Finish
2136ZN	steel	zinc plated

- ▶ weldable keeper

### Heavy Duty Spring Loaded Draw Pull Latch with Cast Steel Bolt



Part Number	Material	Finish
2134ZN	steel	zinc plated