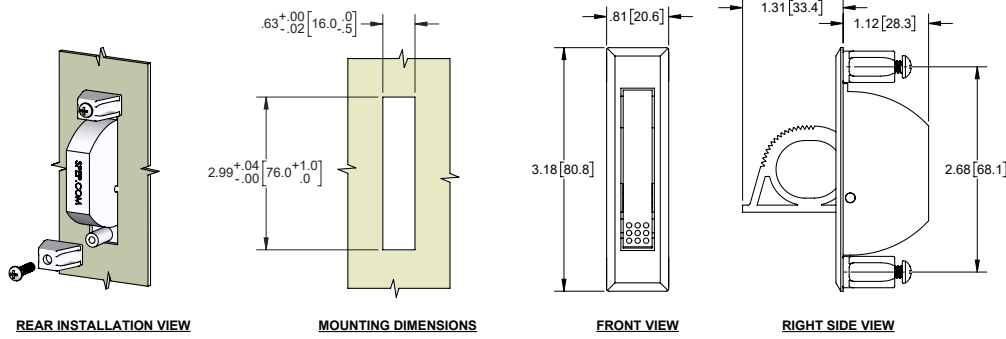
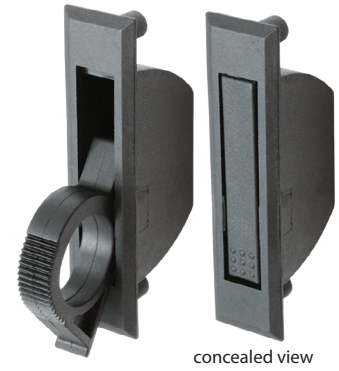


Concealed Pull Assembly

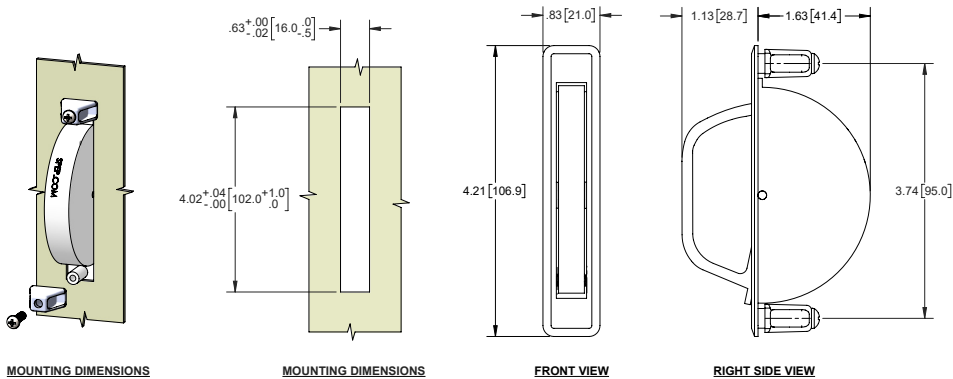
Part Number	Material	Finish
91-01	glass reinforced plastic	black

► flush mounting for up to .25 [6.35] door thickness



Concealed Pull Assembly

Part Number	Material		Finish
	Handle	Housing	
91-02	die cast zinc	plastic	black



Concealed Pull Assembly

91-03	die cast zinc	grey powder coated
91-03BK	die cast zinc	black powder coated

