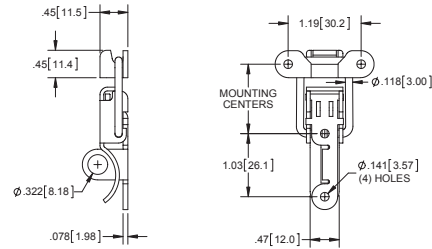


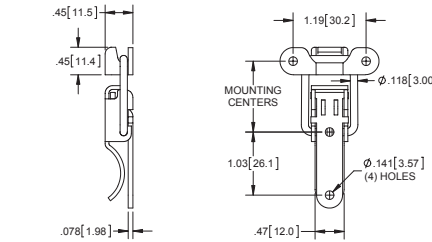
Pull Down Latch with Padlock Eye and Keeper

Part Number	Padlock Hasp	Mounting Holes	Material	Finish	Mounting Centers
205S1	yes	yes	steel	mill	1.13 [28.7]
205S2	yes	no	steel	mill	welded
205ZN1	yes	yes	steel	zinc	1.13 [28.7]
205SS1	yes	yes	304SS	tumbled	1.20 [30.5]
205BK1	yes	yes	steel	black oxide	1.13 [28.7]



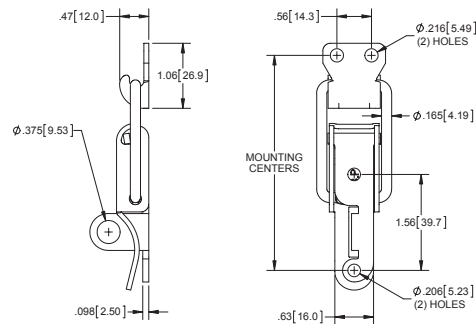
Pull Down Latch and Keeper

Part Number	Padlock Hasp	Mounting Holes	Material	Finish	Mounting Centers
206S1	no	yes	steel	mill	1.13 [28.7]
206S2	no	no	steel	mill	welded
206ZN1	no	yes	steel	zinc	1.13 [28.7]
206SS1	no	yes	304SS	tumbled	1.13 [28.7]



Pull Down Latch with Padlock Eye and Keeper

Part Number	Padlock Hasp	Mounting Holes	Material	Finish	Mounting Centers
207S1	yes	yes	steel	mill	3.50 [88.9]
207S2	yes	no	steel	mill	3.50 [88.9]
207ZN1	yes	yes	steel	zinc plated	3.50 [88.9]
207SS1	yes	yes	304SS	electropolished	3.54 [89.9]
207ZN2	yes	no	steel	zinc plated	3.50 [88.9]
207BK1	yes	yes	steel	black oxide	3.50 [88.9]

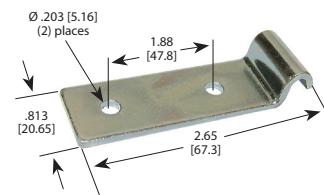


- ▶ latch and keeper can be ordered separately for part number **207SS1** (catch part no. **207SSC**, keeper part no. **207SSS**)
- ▶ latch and keeper can be ordered separately for part number **207ZN1** (catch part no. **207ZNC**, keeper part no. **207ZNS**)

Pull Down Latch and Keeper

Part Number	Padlock Hasp	Mounting Holes	Material	Finish	Mounting Centers
208S1	no	yes	steel	mill	3.50 [88.9]
208S2	no	no	steel	mill	3.50 [88.9]
208ZN1	no	yes	steel	zinc plated	3.50 [88.9]

- ▶ **NOTE:** overall dimensions are the same as 207 series

Optional 90° Keeper
part no. 20711 (zinc)

Pull Down Latch with Dual Padlocking Eyes

Part Number	Padlock Hasp	Mounting Holes	Material	Finish
202ZN1	yes	yes	steel	zinc plated

- ▶ may be used with **207ZNS** keeper

