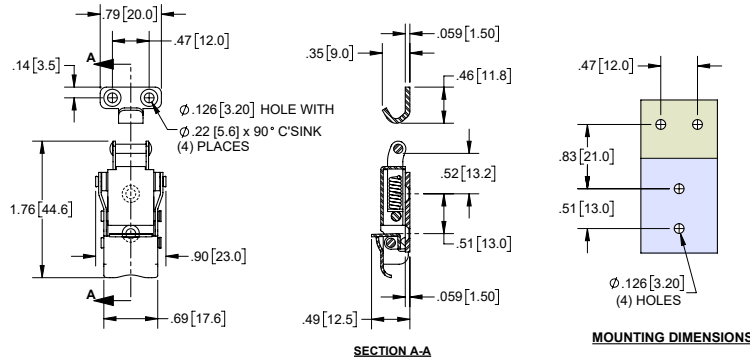
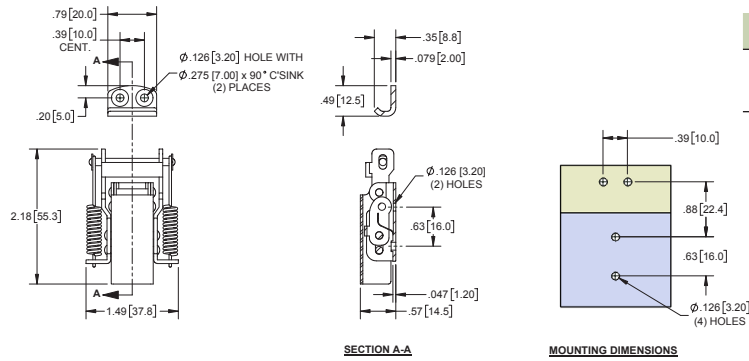


Small Tension Latch



Part Number	Material	Finish
2059SS	304SS	barrel polished

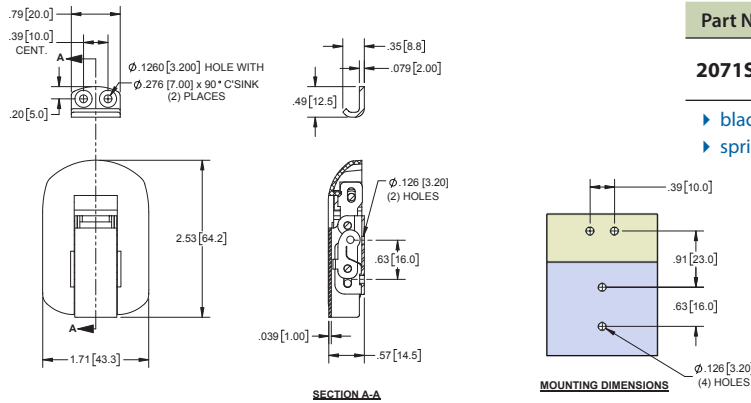
Tension Draw Latches



Latch without Plastic Cover

Part Number	Material	Finish
2070SS	304SS	barrel polished

▶ spring loaded

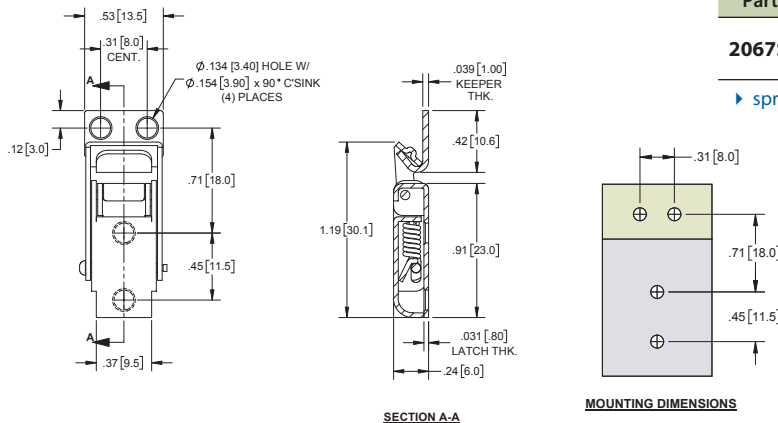


Latch with Plastic Cover

Part Number	Material	Finish
2071SS	304SS	barrel polished

▶ black PC cover
▶ spring loaded

Tension Draw Latch



Part Number	Material	Finish
2067SS	304SS	barrel polished

▶ spring loaded