

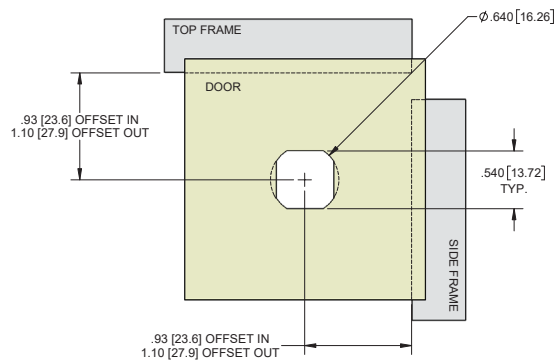
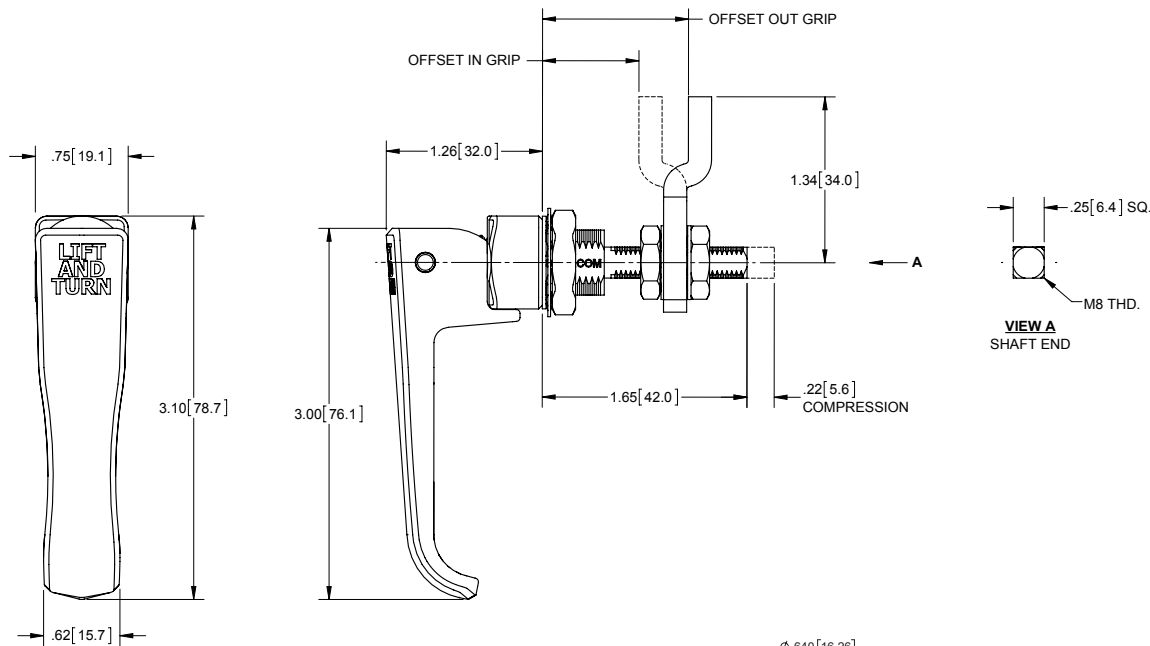


Medium Pull Action Lift and Turn Compression Latches

Part Number	Offset In Grip		Offset Out Grip		Material	Finish
	Min.	Max.	Min.	Max.		
5-25BC	no cam		no cam		die cast zinc	brushed chrome
5-25BK	no cam		no cam		die cast zinc	matte black
5-25CH	no cam		no cam		die cast zinc	polished chrome
5-25BC-12	0.0 [0]	.20 [5.1]	1.77 [45.0]	2.16 [54.9]	die cast zinc	brushed chrome
5-25BK-12	0.0 [0]	.20 [5.1]	1.77 [45.0]	2.16 [54.9]	die cast zinc	matte black
5-25CH-12	0.0 [0]	.20 [5.1]	1.77 [45.0]	2.16 [54.9]	die cast zinc	polished chrome
5-25BC-8	.20 [5.1]	.59 [15.0]	1.37 [34.8]	1.77 [45.0]	die cast zinc	brushed chrome
5-25BK-8	.20 [5.1]	.59 [15.0]	1.37 [34.8]	1.77 [45.0]	die cast zinc	matte black
5-25CH-8	.20 [5.1]	.59 [15.0]	1.37 [34.8]	1.77 [45.0]	die cast zinc	polished chrome
5-25BC-4	.59 [15.0]	.98 [24.9]	.98 [24.9]	1.37 [34.8]	die cast zinc	brushed chrome
5-25BK-4	.59 [15.0]	.98 [24.9]	.98 [24.9]	1.37 [34.8]	die cast zinc	matte black
5-25CH-4	.59 [15.0]	.98 [24.9]	.98 [24.9]	1.37 [34.8]	die cast zinc	polished chrome



- ▶ includes:
 - ▶ (1) reversible cam
 - ▶ (1) body nut
 - ▶ (2) jam nuts
 - ▶ (2) lock washers
 - ▶ (1) gasket
 - ▶ internal O-ring
- ▶ straight steel, zinc plated cam sold separately (part no. 5C11) see pg. 152



MOUNTING DIMENSIONS