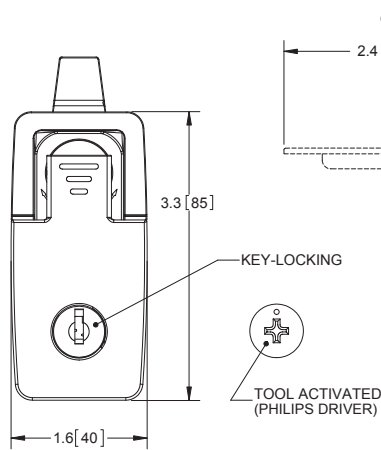
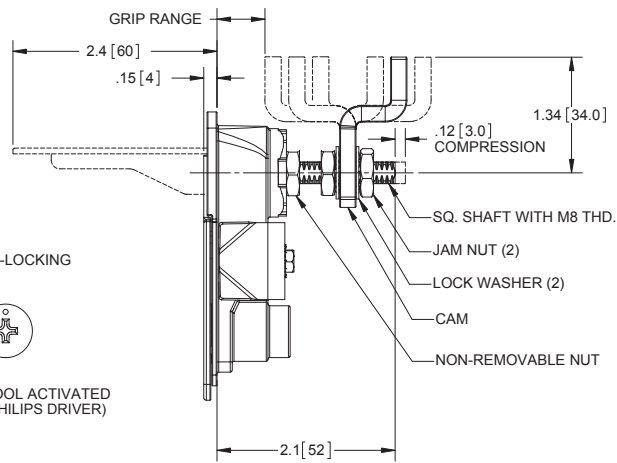


Flush Lift and Turn Compression Latches

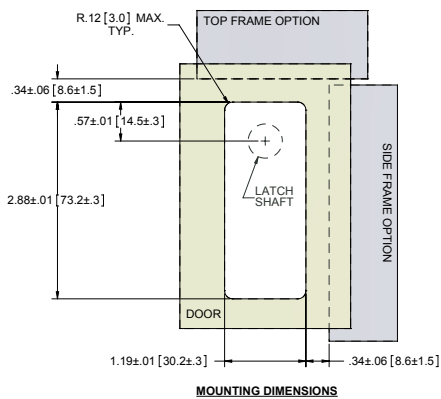
NEMA 12 IP64



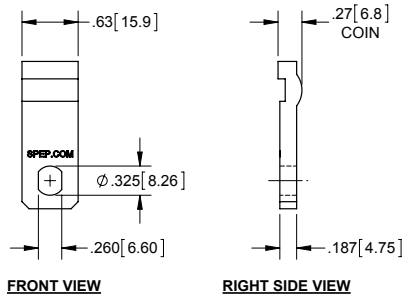
FRONT VIEW



RIGHT SIDE VIEW



MOUNTING DIMENSIONS



FRONT VIEW

RIGHT SIDE VIEW

COINED STRAIGHT CAM
PART NO. 5C11
(SOLD SEPARATELY)

Features

- ▶ includes:
 - ▶ (1) mounting bracket
 - ▶ (1) mounting screw
 - ▶ (1) cam
 - ▶ (2) lock washers
 - ▶ (2) jam nuts
 - ▶ (2) ringed brass keys, nickel plated, key code CH751
- ▶ material: die cast zinc
- ▶ spring loaded lever
- ▶ gasket available separately, part no. 8-1G
- ▶ straight steel, zinc plated cam available separately (part no. 5C11). See illustration below.
- ▶ NEMA 4/IP66 sealing is achieved when 8-1G gasket is used and sealing is applied to mounting screw

Non-Locking Latches

Part Number			Grip Range			
Polished Chrome	Black Powder	Textured Chrome	Cam Offset In		Cam Offset Out	
			Min.	Max.	Min.	Max.
8-10CH-4	8-10BK-4	8-10TC-4	1.02 [25.9]	1.41 [35.8]	1.41 [35.8]	1.81 [46.0]
8-10CH-8	8-10BK-8	8-10TC-8	.63 [16.0]	1.02 [25.9]	1.81 [46.0]	2.20 [55.9]
8-10CH-12	8-10BK-12	8-10TC-12	.23 [5.8]	.63 [16.0]	2.20 [55.9]	2.59 [65.8]

Key-Locking Latches

Part Number			Grip Range			
Polished Chrome	Black Powder	Textured Chrome	Cam Offset In		Cam Offset Out	
			Min.	Max.	Min.	Max.
8-12CH-4	8-12BK-4	8-12TC-4	1.02 [25.9]	1.41 [35.8]	1.41 [35.8]	1.81 [46.0]
8-12CH-8	8-12BK-8	8-12TC-8	.63 [16.0]	1.02 [25.9]	1.81 [46.0]	2.20 [55.9]
8-12CH-12	8-12BK-12	8-12TC-12	.23 [5.8]	.63 [16.0]	2.20 [55.9]	2.59 [65.8]

Tool Activated Latches

Part Number			Grip Range			
Polished Chrome	Black Powder	Textured Chrome	Cam Offset In		Cam Offset Out	
			Min.	Max.	Min.	Max.
8-14CH-4	8-14BK-4	8-14TC-4	1.02 [25.9]	1.41 [35.8]	1.41 [35.8]	1.81 [46.0]
8-14CH-8	8-14BK-8	8-14TC-8	.63 [16.0]	1.02 [25.9]	1.81 [46.0]	2.20 [55.9]
8-14CH-12	8-14BK-12	8-14TC-12	.23 [5.8]	.63 [16.0]	2.20 [55.9]	2.59 [65.8]