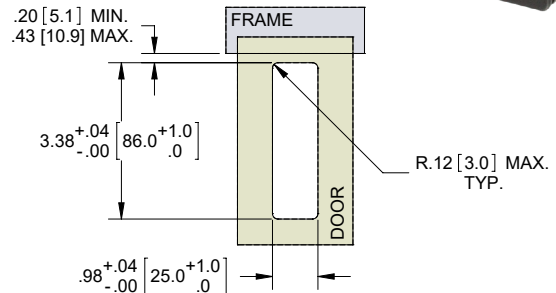
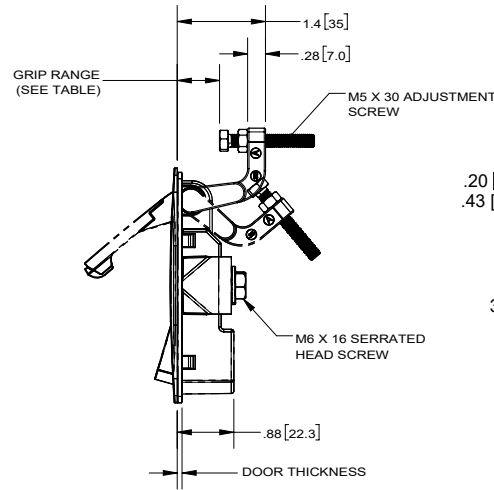
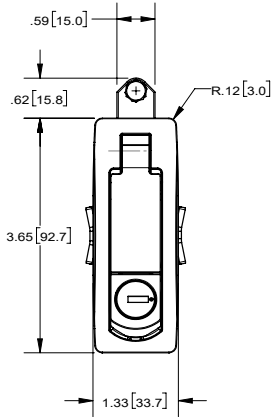




Sealed Raised Trigger Compression Latches

Grip Range	Door Thickness	Part Number		Lock Key Code
		Black Powder Coated	Polished Chrome	
.04"-.95" [1.0-24.0] (1.4" [35] Lever Length)	.04-.20 [1.0-5.0]	446BK	446CH	non-locking
		446BK-751	446CH-751	CH751
.91"-1.81" [23.1-46.0] (2.2" [57] Lever Length)	.04-.20 [1.0-5.0]	446BK01	446CH01	non-locking
		446BK01-751	446CH01-751	CH751

- ▶ includes:
 - ▶ rubber gasket
 - ▶ rubber o-rings
- ▶ material: die cast zinc
 - ▶ lever finish: black powder coated
 - ▶ spring loaded lever
 - ▶ (2) ringed keys
- ▶ jam nut can be positioned on opposite side of lever in order to achieve maximum grip range



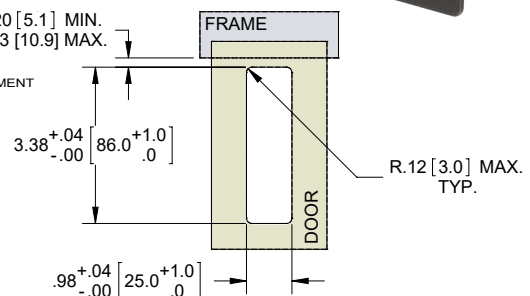
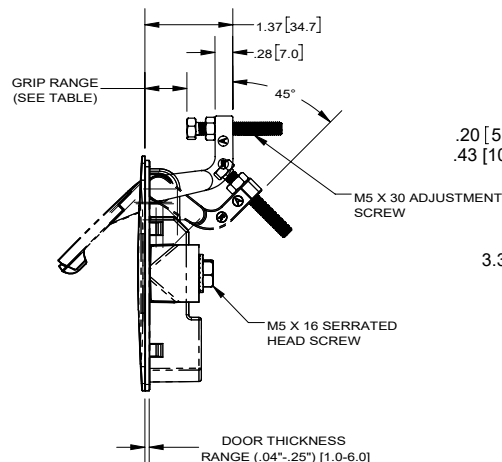
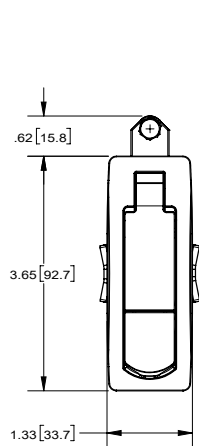
MOUNTING DIMENSIONS



Sealed Flush Trigger Compression Latches, Non-Locking

Grip Range	Door Thickness	Part Number	
		Black Powder Coated	Polished Chrome
.04"-.95" [1.0-24.0] (1.4" [35] Lever Length)	.04-.20 [1.0-5.0]	448BK	448CH
.91"-1.81" [23.1-46.0] (2.2" [57] Lever Length)	.04-.20 [1.0-5.0]	448BK01	448CH01

- ▶ includes:
 - ▶ rubber gasket
 - ▶ rubber o-rings
- ▶ material: die cast zinc
 - ▶ spring loaded lever
- ▶ jam nut can be positioned on opposite side of lever in order to achieve maximum grip range



MOUNTING DIMENSIONS