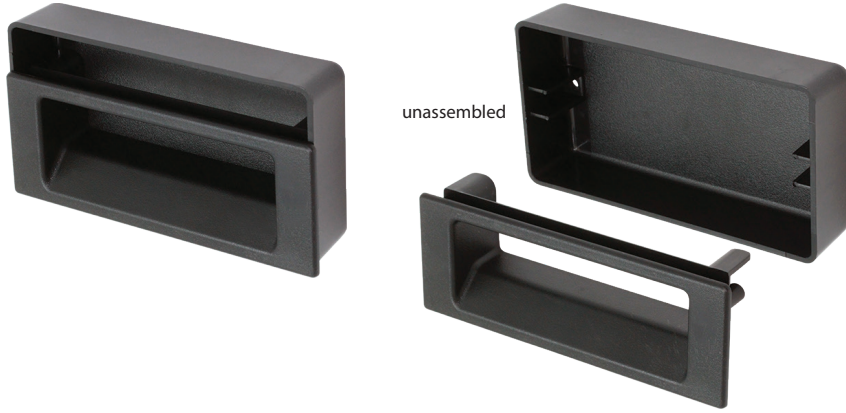
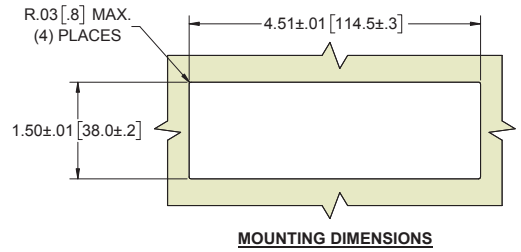
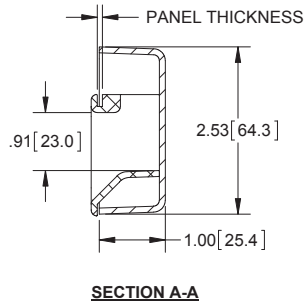
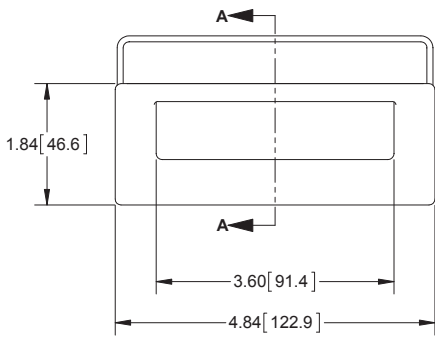


Flush Pocket Pulls

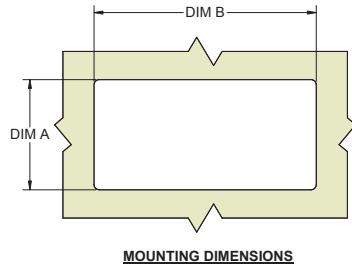
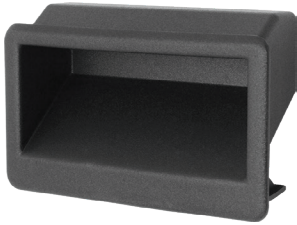


Part Number	Material	Finish	Min. Panel Thickness	Max. Panel Thickness
92-01	ABS	black textured	.04 [1.0]	.07 [1.8]
92-02			.07 [1.8]	.13 [3.3]
92-03			.13 [3.3]	.19 [4.8]
92-04			.19 [4.8]	.25 [6.3]

- ▶ for lifting or pulling
- ▶ includes (2) self-tapping screws



Large Plastic Pocket Pull



Part No.	Material	Finish
93-01	glass reinforced plastic	black textured

Door Thickness	Panel Cut-out	
	Dim A	Dim B
0.059 [1.50] - .079 [2.00]	1.960 + 0.007 [49.80 + 0.20]	3.937 - 0.019 [100.00 - 0.50]
0.079 [2.00] - 0.118 [3.00]	1.968 + 0.011 [50.00 + 0.30]	3.937 - 0.019 [100.00 - 0.50]

- ▶ for lifting or pulling
- ▶ snaps into place and fasteners are not required

