



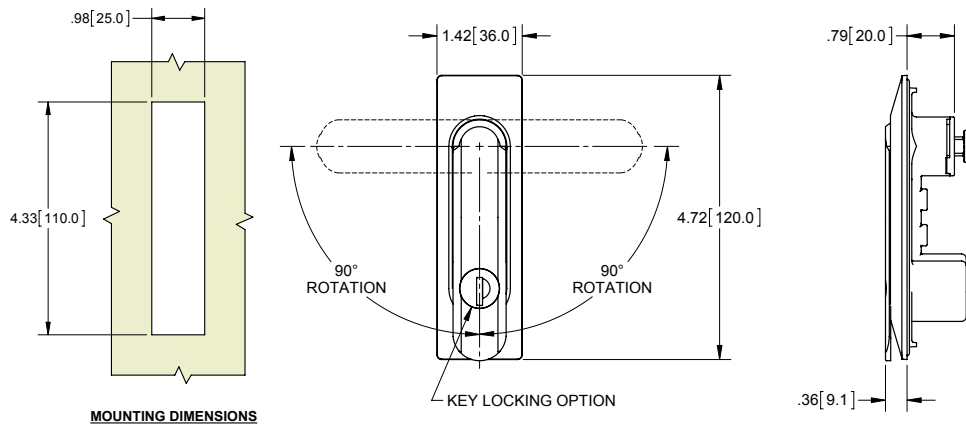
Medium Swing Handles

Part Number	Description	Key Code/ Plug	Length	Material	Finish
50M-333	key locking	EK333	.79 [20.0]	die cast zinc	black powder coated
50M-751	key locking	CH751	.79 [20.0]	die cast zinc	black powder coated
50M-333P01	key locking	EK333	.79 [20.0]	polyamide housing, die cast zinc handle	black housing, black powder coated handle
50M-751P01	key locking	CH751	.79 [20.0]	polyamide housing, die cast zinc handle	black housing, black powder coated handle

- ▶ swing handle may rotate clockwise or counterclockwise by adjusting the stop washer
- ▶ cams sold separately (see pg. 134)
- ▶ assembly includes:
 - ▶ mounting bracket
 - ▶ (2) mounting screws
 - ▶ stop washer
 - ▶ cam mounting screw
 - ▶ foam seal
 - ▶ internal o-ring
 - ▶ (2) ringed keys, except for tool activated keys sold separately



key locking



MOUNTING DIMENSIONS

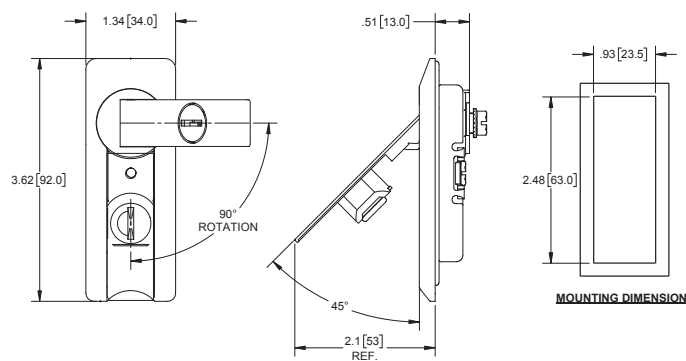
KEY LOCKING OPTION



Locking Swing Handle

Part Number	Key Code	Material	Finish	Stock
52CH-01 ‡	K083	die cast zinc	silver powder coated	no

- ▶ cams sold separately (see pg. 134)
- ‡ this part is non-stock



MOUNTING DIMENSIONS