

Large Swing Handles



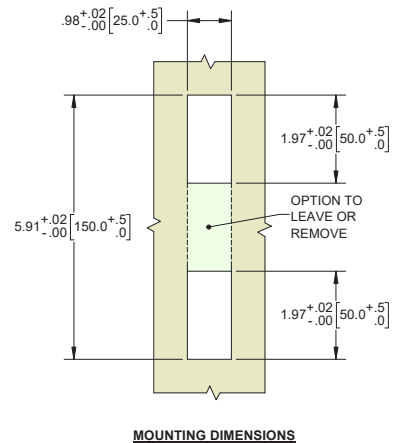
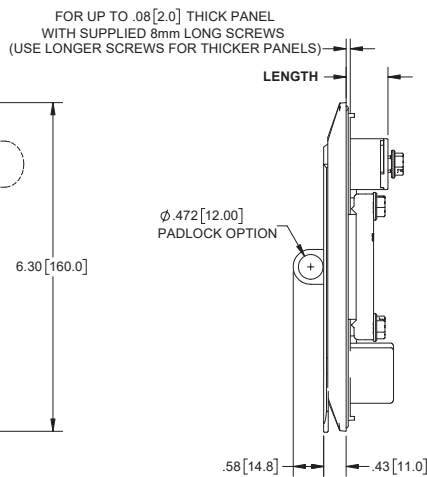
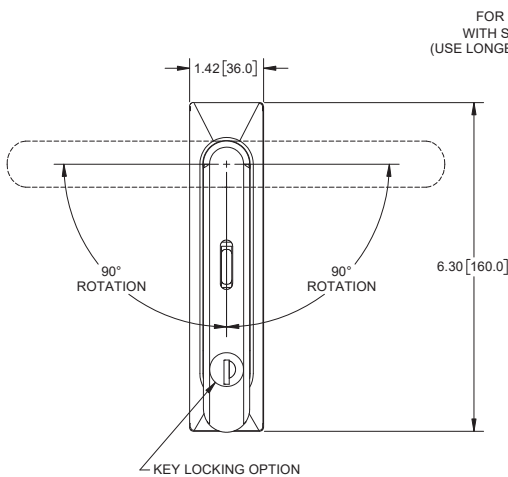
key locking padlocking



key locking

Part Number	Description	Key Code/ Plug	Length	Material	Finish
50L-333	key locking	EK333	.79 [20.0]	die cast zinc	black powder coated
50L-751	key locking	CH751	.79 [20.0]	die cast zinc	black powder coated
50L-E200	key locking	E200	.79 [20.0]	die cast zinc	black powder coated
50L-333P01	key locking	EK333	.71 [18.0]	polyamide housing, die cast zinc handle	black housing, black powder coated handle
50L-333P02	key locking	EK333	.79 [20.0]	polyamide housing, die cast zinc handle	black housing, black powder coated handle
50L-751P01	key locking	CH751	.71 [18.0]	polyamide housing, die cast zinc handle	black housing, black powder coated handle
50L-333P	key locking	EK333	.79 [20.0]	polyamide	black
50L-751P	key locking	CH751	.79 [20.0]	polyamide	black
50L-333LK	key locking padlocking	EK333	.79 [20.0]	die cast zinc	black powder coated
50L-751LK	key locking padlocking	CH751	.79 [20.0]	die cast zinc	black powder coated
50L-12	tool activated	slotted plug	.79 [20.0]	die cast zinc	black powder coated
50L-22	tool activated	Bellcore plug	.79 [20.0]	die cast zinc	black powder coated
50L-22LK	tool activated, padlocking	8mm hex w/ hex pin	.79 [20.0]	die cast zinc	black textured powder coated
50L-23LK	tool activated, padlocking	11mm hex	.79 [20.0]	die cast zinc	black textured powder coated
50L-18	tool activated, 4-14K	3mm double bitted plug	.79 [20.0]	die cast zinc	black powder coated
50L-1801	tool activated, 4-14K	5mm double bitted plug	.79 [20.0]	die cast zinc	black powder coated
50L-30	tool activated,	8mm triangle	.79 [20.0]	die cast zinc	black powder coated
50L	non-locking	none	.79 [20.0]	die cast zinc	black powder coated
50L-LK	non-locking, padlocking	none	.79 [20.0]	die cast zinc	black textured powder coated

- ▶ swing handle may rotate clockwise or counterclockwise by adjusting the stop washer
- ▶ cams sold separately (see pg. 134)
- ▶ assembly includes:
 - ▶ mounting bracket
 - ▶ (2) mounting screws
 - ▶ stop washer
 - ▶ cam mounting screw
 - ▶ foam seal
 - ▶ internal o-ring
 - ▶ (2) ringed keys, except for tool activated keys sold separately



MOUNTING DIMENSIONS