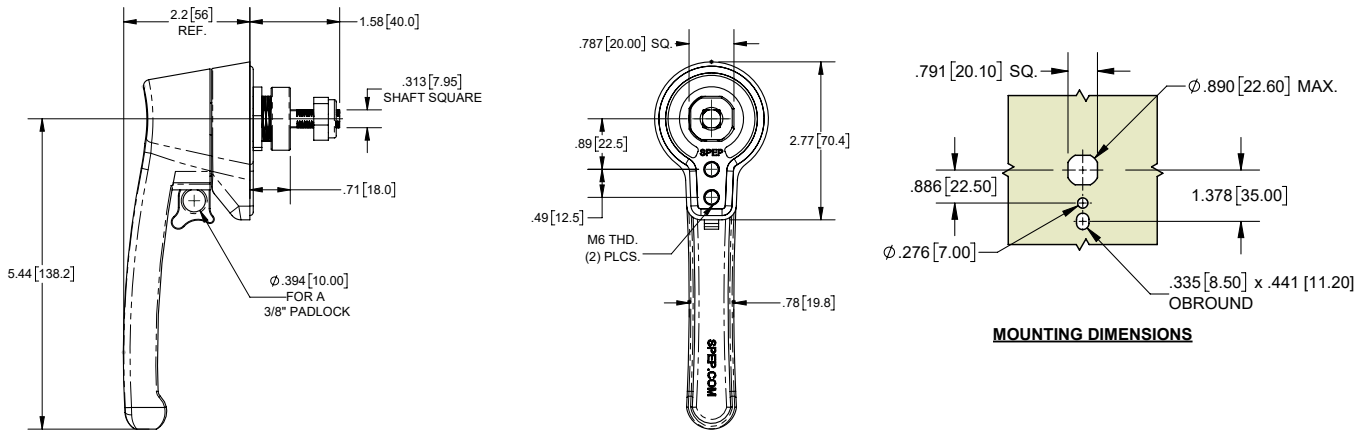


Compact 316 Stainless Steel Defeater L-Handle Latches

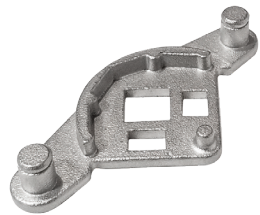


Part Number	Description	Key Part No.	Material	Finish	Shaft Length	Shaft Style	Shaft Size	Mounting
3960SST*	non-locking	no key	316SS	brushed, passivated	1.58 [40.0]	threaded	.313 [7.9] sq	blind
3960SST-333	key-locking	Key Code 333 (2 keys included)	316SS	brushed, passivated	1.58 [40.0]	threaded	.313 [7.9] sq	blind
3961SST	slotted plug	no key	316SS	brushed, passivated	1.58 [40.0]	threaded	.313 [7.9] sq	blind
3964SST	3mm double bit	4-14K	316SS	brushed, passivated	1.58 [40.0]	threaded	.313 [7.9] sq	blind
3965SST-333*	key-locking	Key Code 333 (2 keys included)	316SS	brushed, passivated	1.58 [40.0]	threaded	.313 [7.9] sq	blind

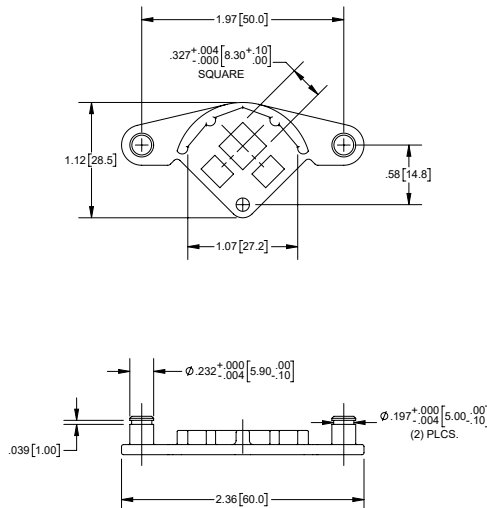
- ▶ *part no. **3960SST** & **3965SST-333** are non-defeater handles
- ▶ handle 90° rotation is adjustable by repositioning the stop washer on the rear of the handle
- ▶ threaded shafts have an M10 x 1.5 thread
- ▶ all handles intended for a Ø.38 [9.5] (3/8") padlock, and no smaller than Ø.25 [6.4] (1/4") to prevent access
- ▶ sealing gasket is built into the escutcheon
- ▶ intended for NEMA type 4X enclosure requirements
- ▶ cams sold separately, see page 128 for cams and grip dimension



Quarter-Turn Latch Adapter



assembly view with 50C-series cam



Part Number	Material	Finish
53C00SS	304SS	mill

- ▶ converts single point cams to multi-point
- ▶ used with e-clips (p/n **XF128**) - sold separately
- ▶ rod adaptor can be purchased separately, p/n **C20**
- ▶ may be used with single point cam 50C-series on page 134