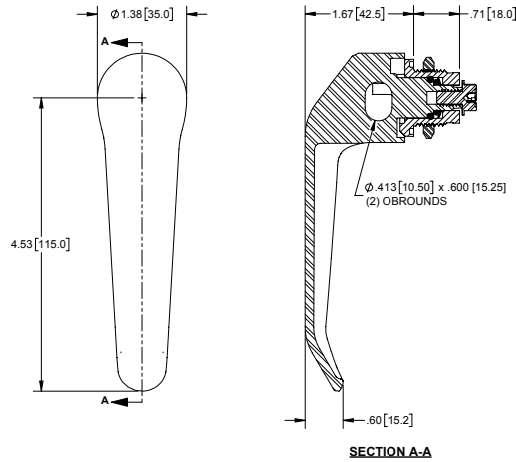


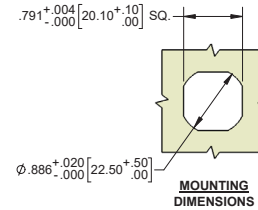
Padlocking Quarter-turn L-Handle Latches

NEMA 4 NEMA 4x NEMA 12 IP65 RATED 316SS



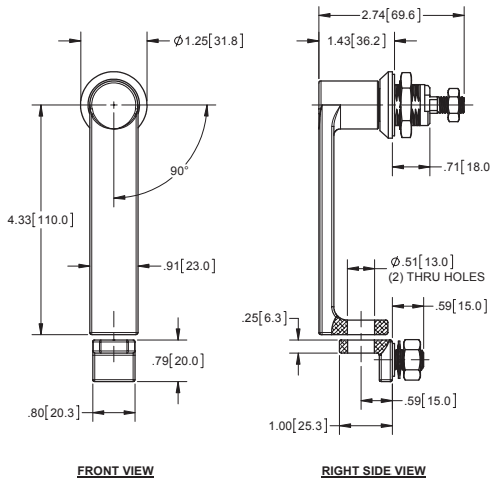
Part Number	Material	Finish
41-17	die cast zinc	chrome plated
41-17BK	die cast zinc	smooth, black powder coated
41-17SST	316SS	brushed

- ▶ accepts up to  $\phi .375$  (3/8) padlock
- ▶ cams sold separately. See page 128 for cams & grip dimension
- ▶ intended for NEMA type 12 enclosure requirements; NEMA 4, 4X for stainless steel part



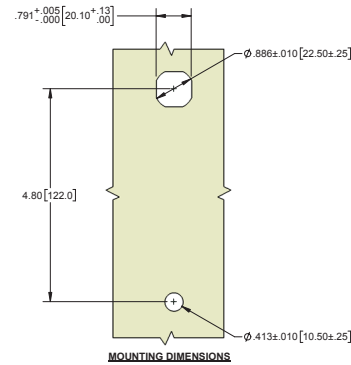
Padlocking Quarter-turn Handle

NEMA 4 IP65 RATED



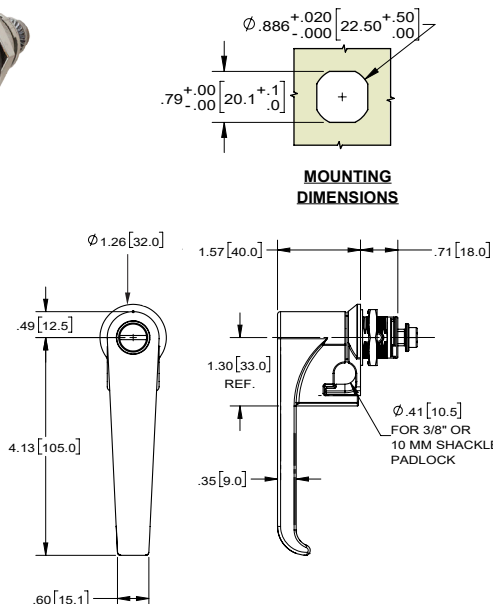
Part Number	L-Handle & Housing	
	Material	Finish
41-14BK	aluminum handle & keeper	matte black powder coated

- ▶ includes body nut, cam retaining screw, two lock washers, and seals (internal o-ring and two face gaskets)
- ▶ intended for NEMA type 12 enclosure requirements
- ▶ cams sold separately. See page 128 for cams & grip dimension



Padlocking Non-Defeater and Defeater L-Handle Quarter-turn Latches

NEMA 4 NEMA 12 IP65 RATED



Part Number	Plug Style	Description	L-Handle & Housing	
			Material	Finish
41-25BK	key code CH751	non-defeater	die cast zinc	black textured powder coated
41-26BK	non-locking	non-defeater	die cast zinc	black textured powder coated
41-27BK	2MM wide x 4MM deep coin-proof slot	defeater	die cast zinc	black textured powder coated

- ▶ slotted plug features a coin-proof recessed slot for higher security
- ▶ spring loaded slotted plug makes this a defeater handle requiring both hands to operate
- ▶ rear stop washer may be adjusted to make this handle rotate either clockwise or counterclockwise
- ▶ used with a 3/8" or 10mm padlock shackle
- ▶ may be used with cams on page 134